

Mountain Top® Alu Liner

Installation manual

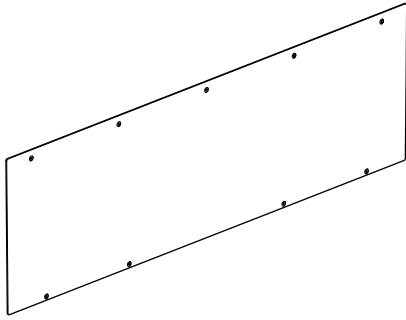


DOWNLOAD PDF



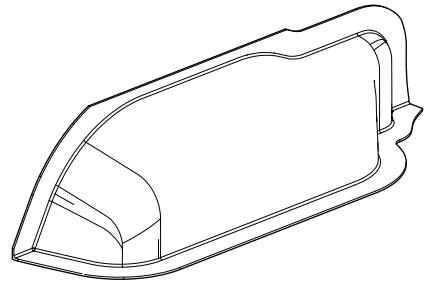
Parts

A



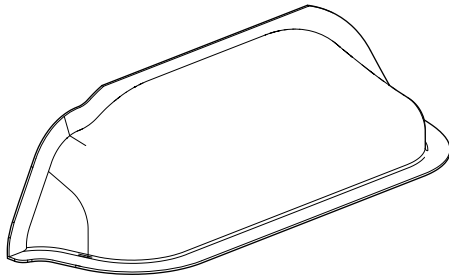
x 1

B



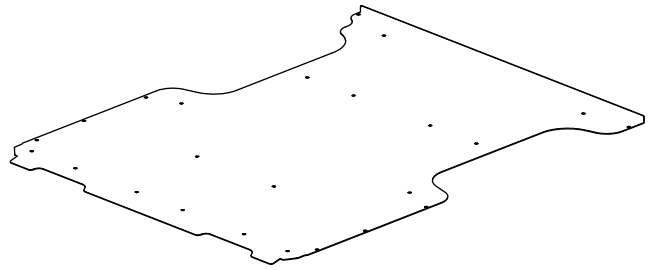
x 1

C



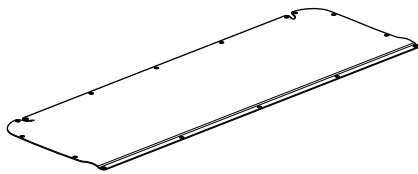
x 1

D



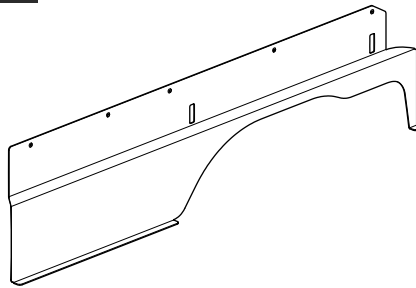
x 1

E



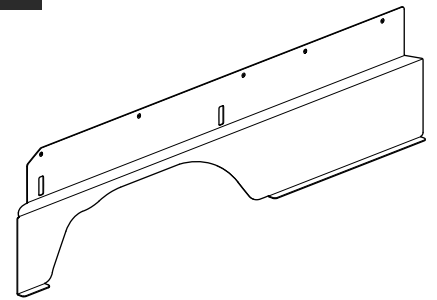
x 1

F



x 1

G

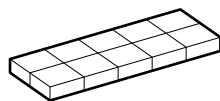


x 1



Kit # 913 038

H



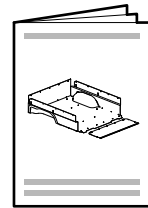
x 1

I



x 59

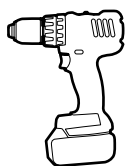
L



x 1



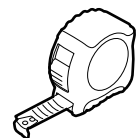
Tools and materials needed



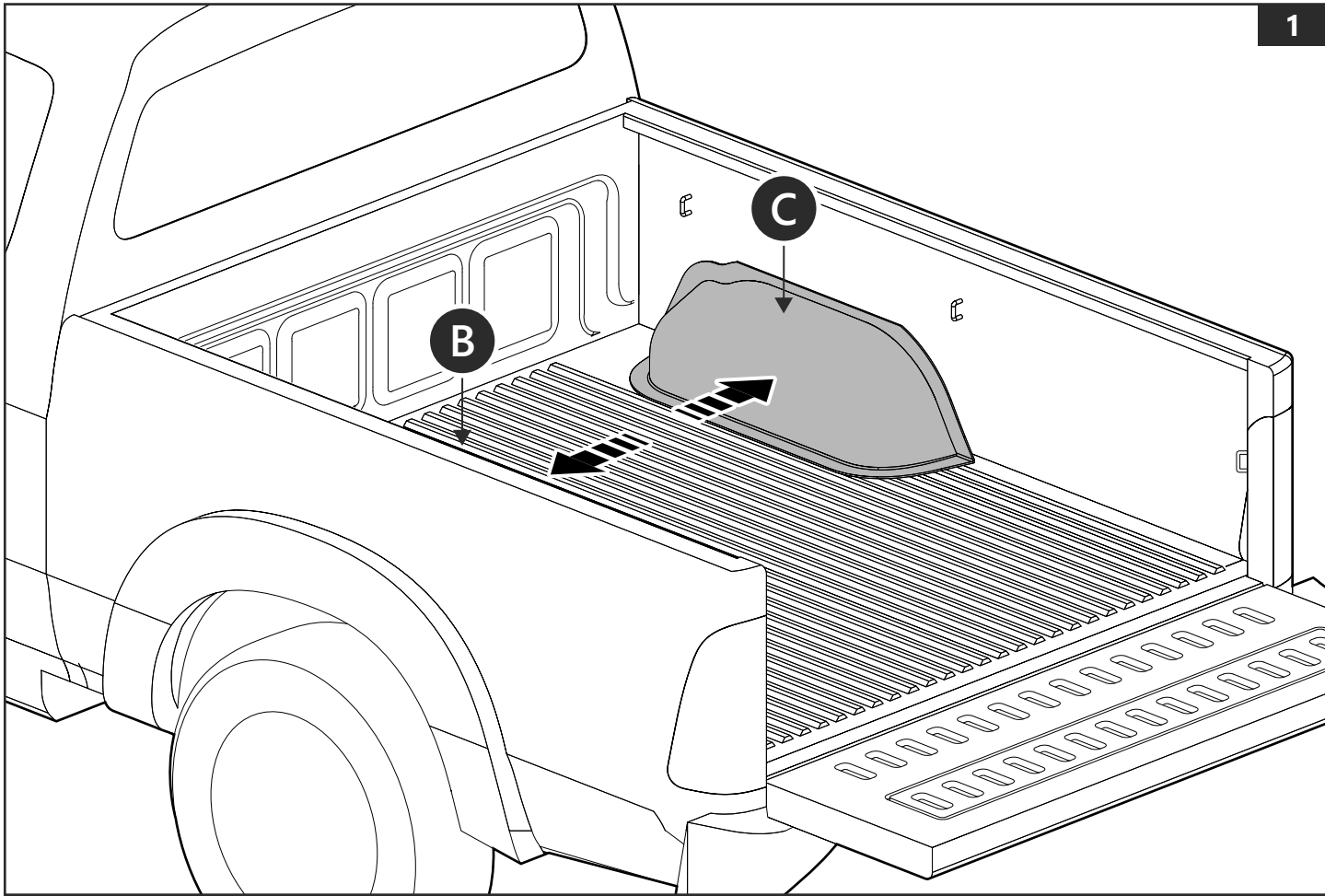
PH 1
2300 RPM



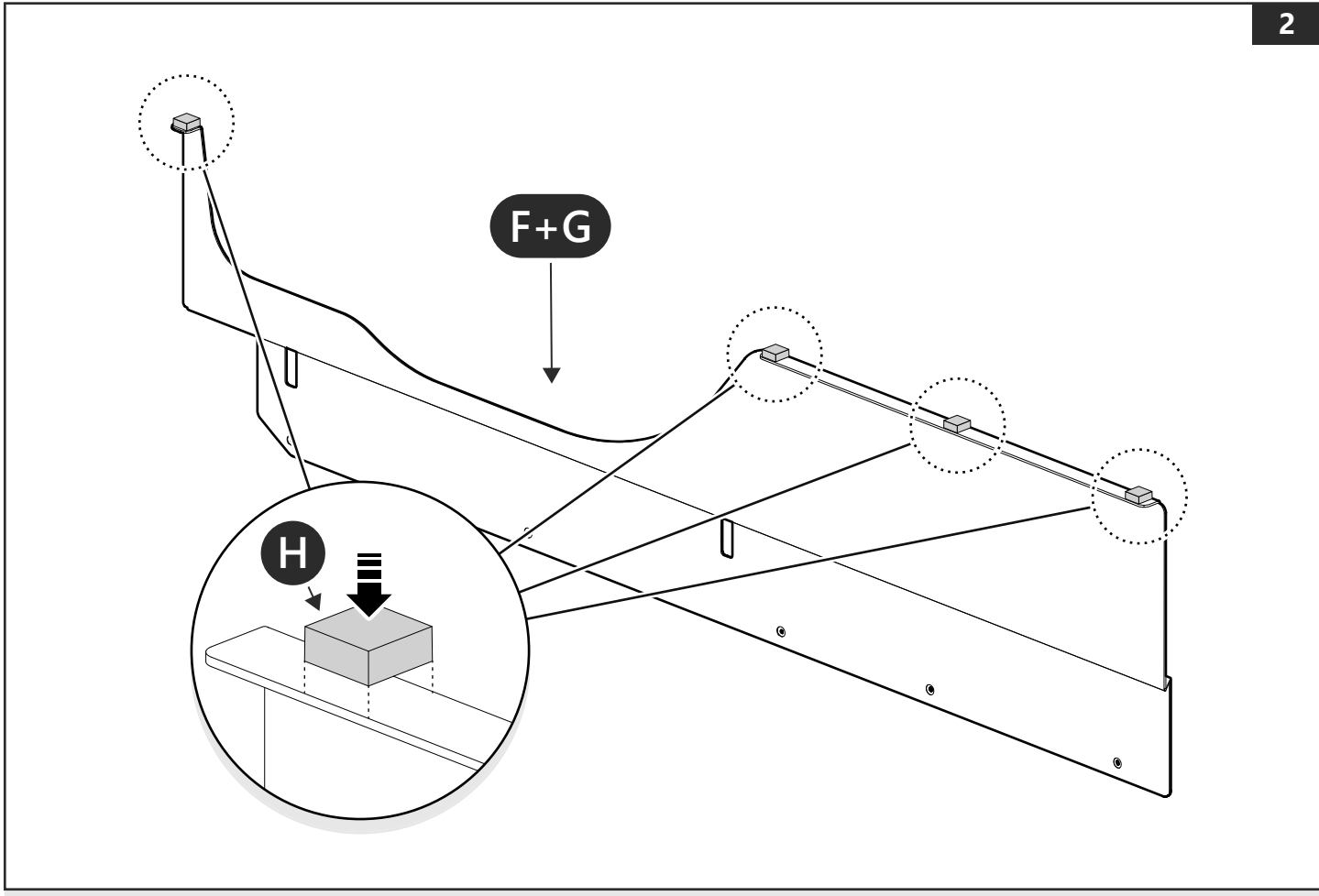
Rust protection
Rostschutzmittel
Anti-rouille
Anti roest

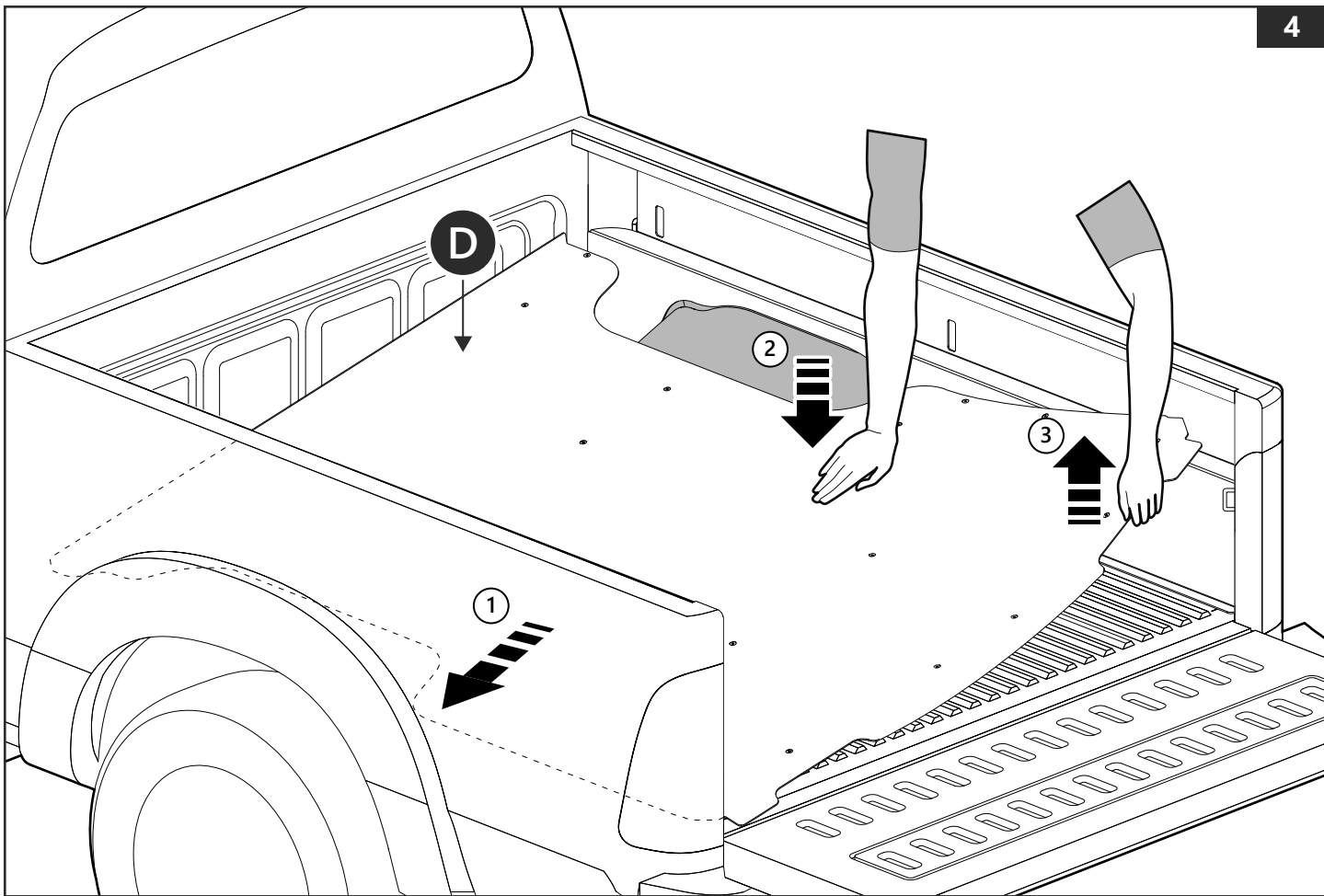
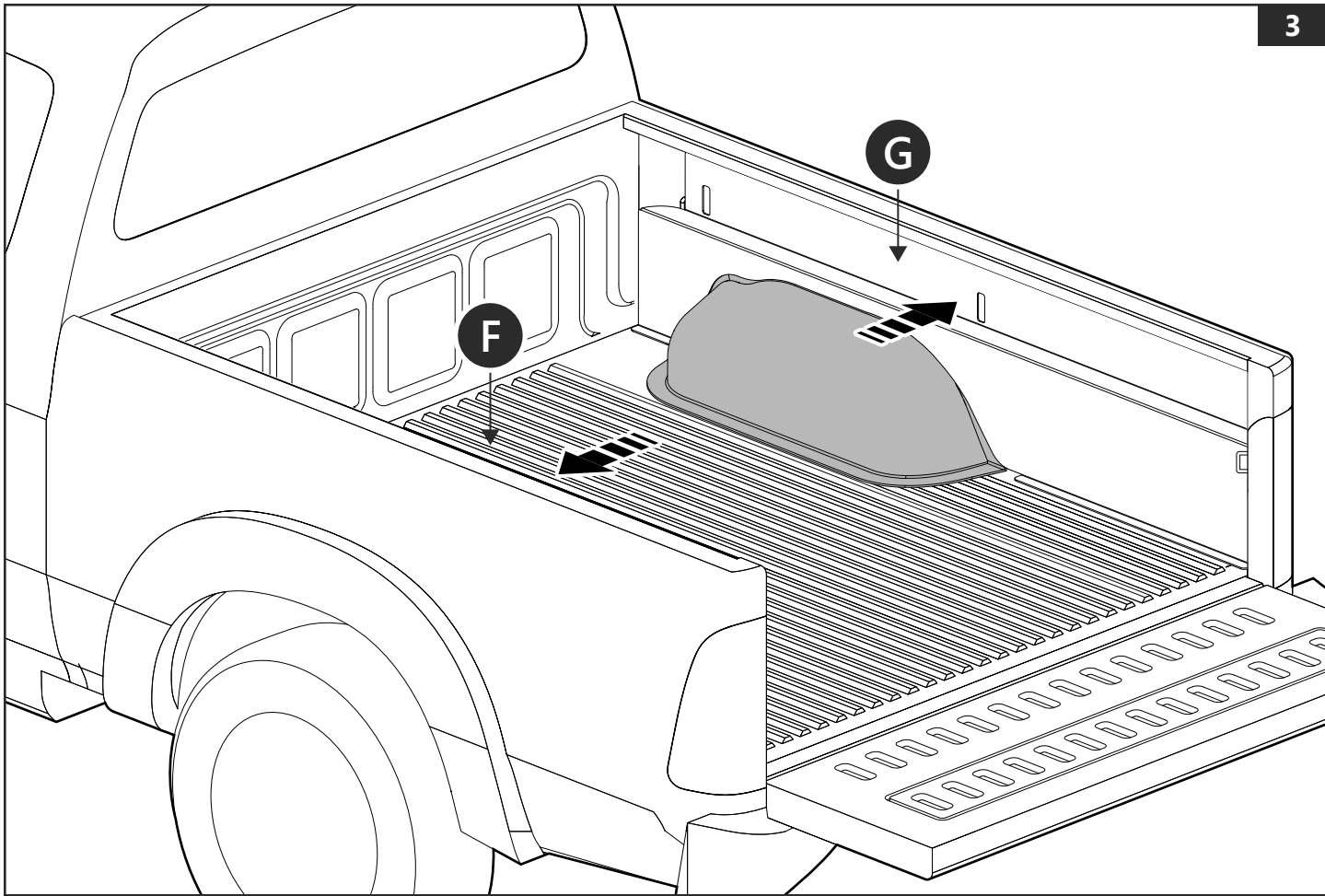


1

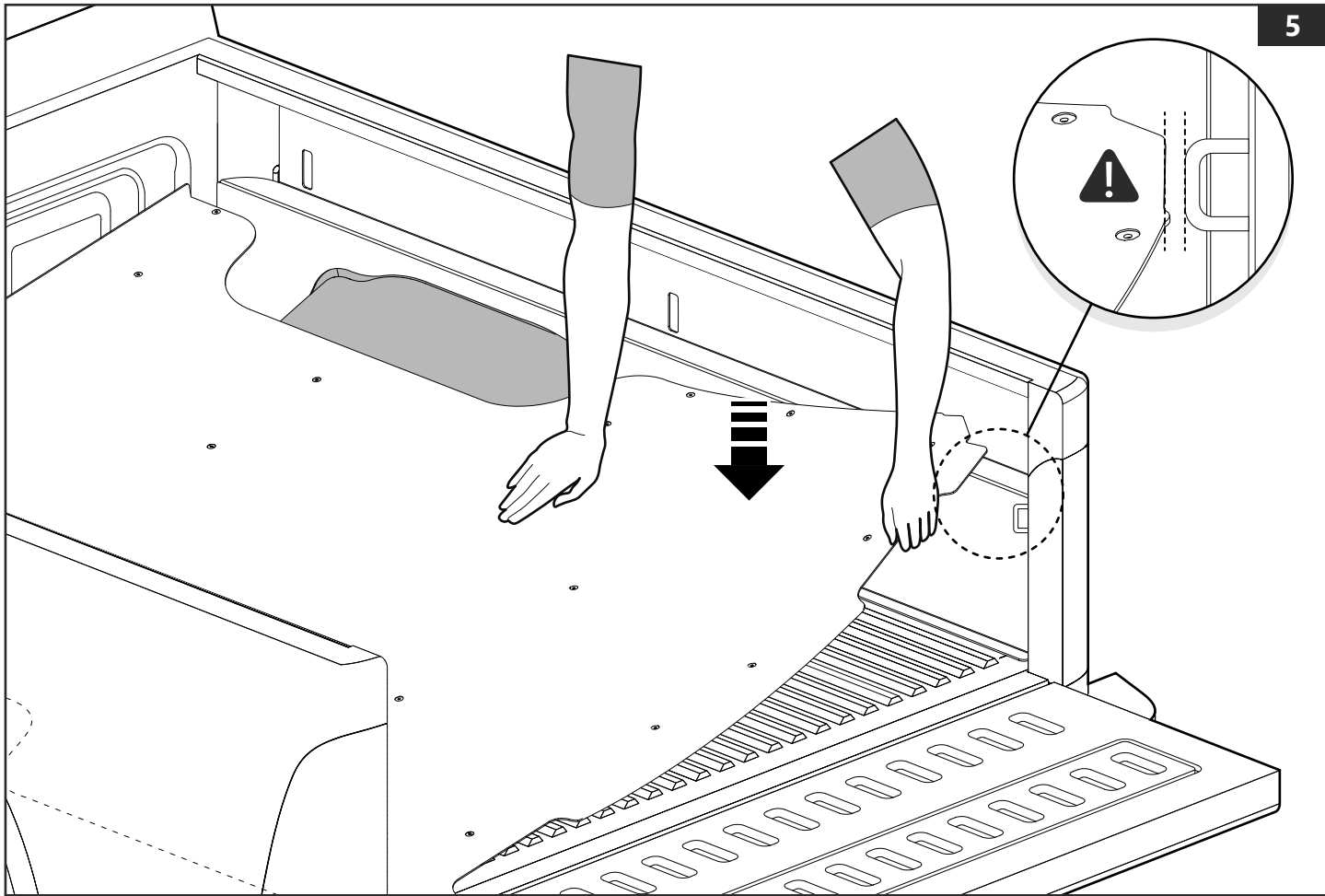


2

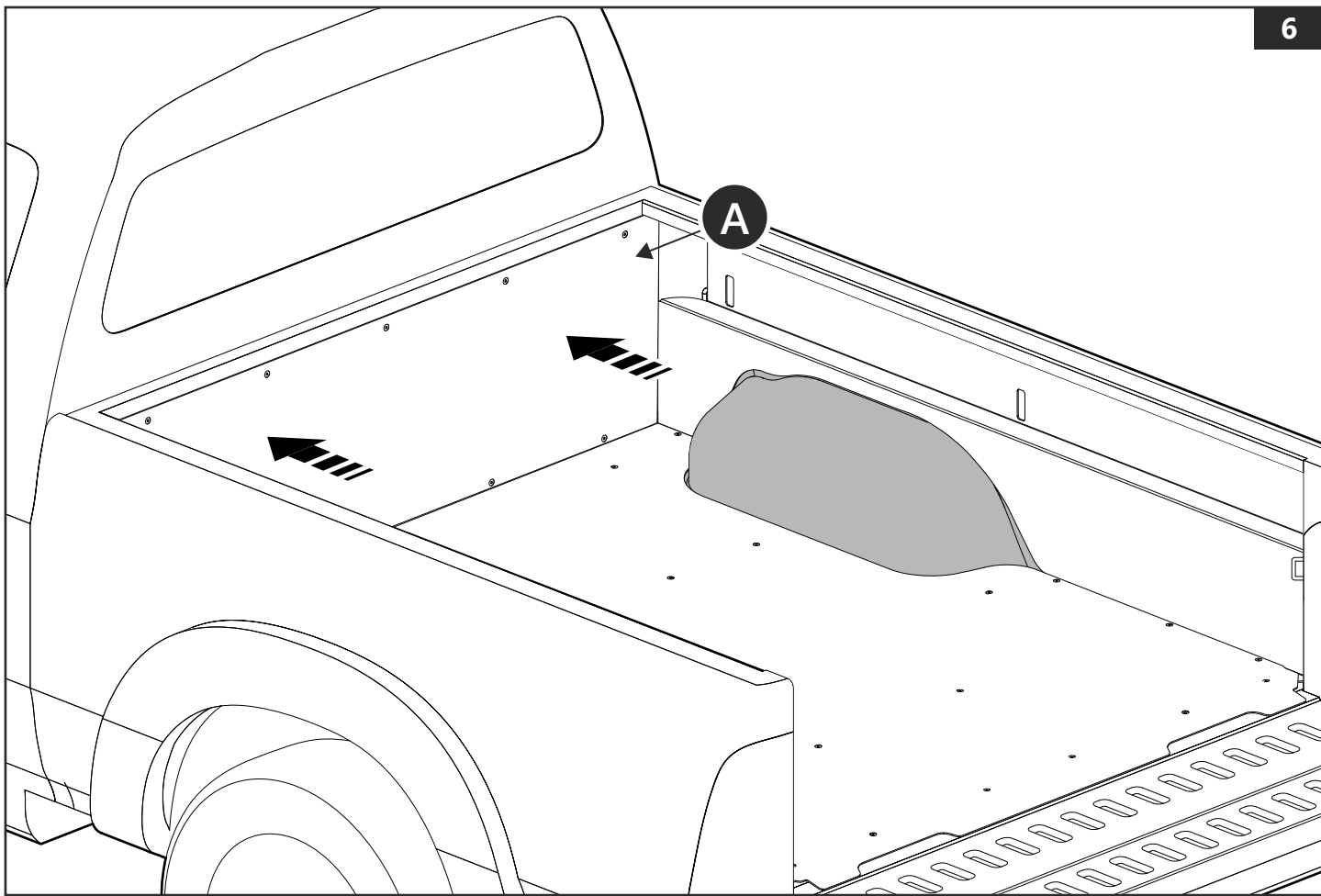


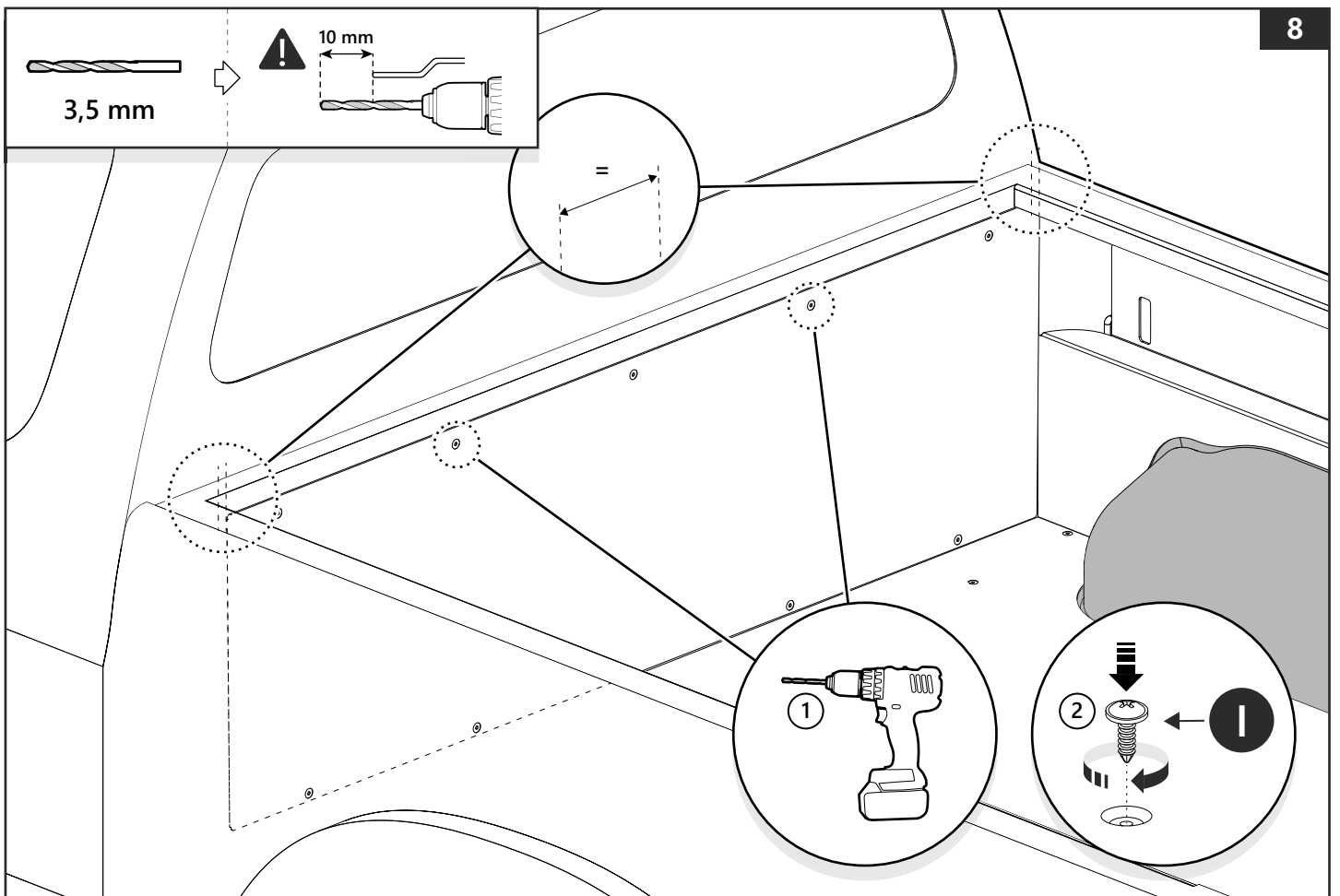
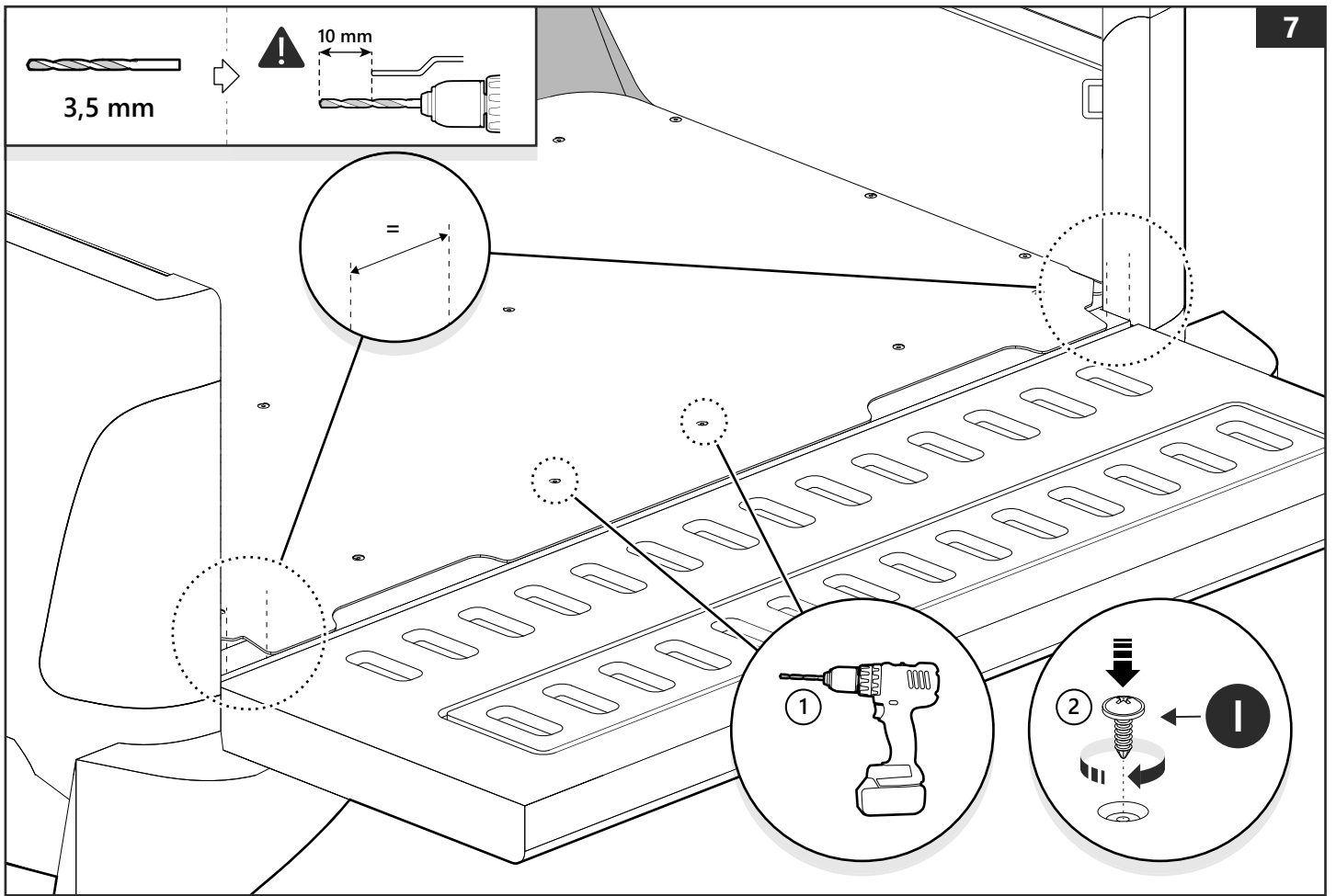


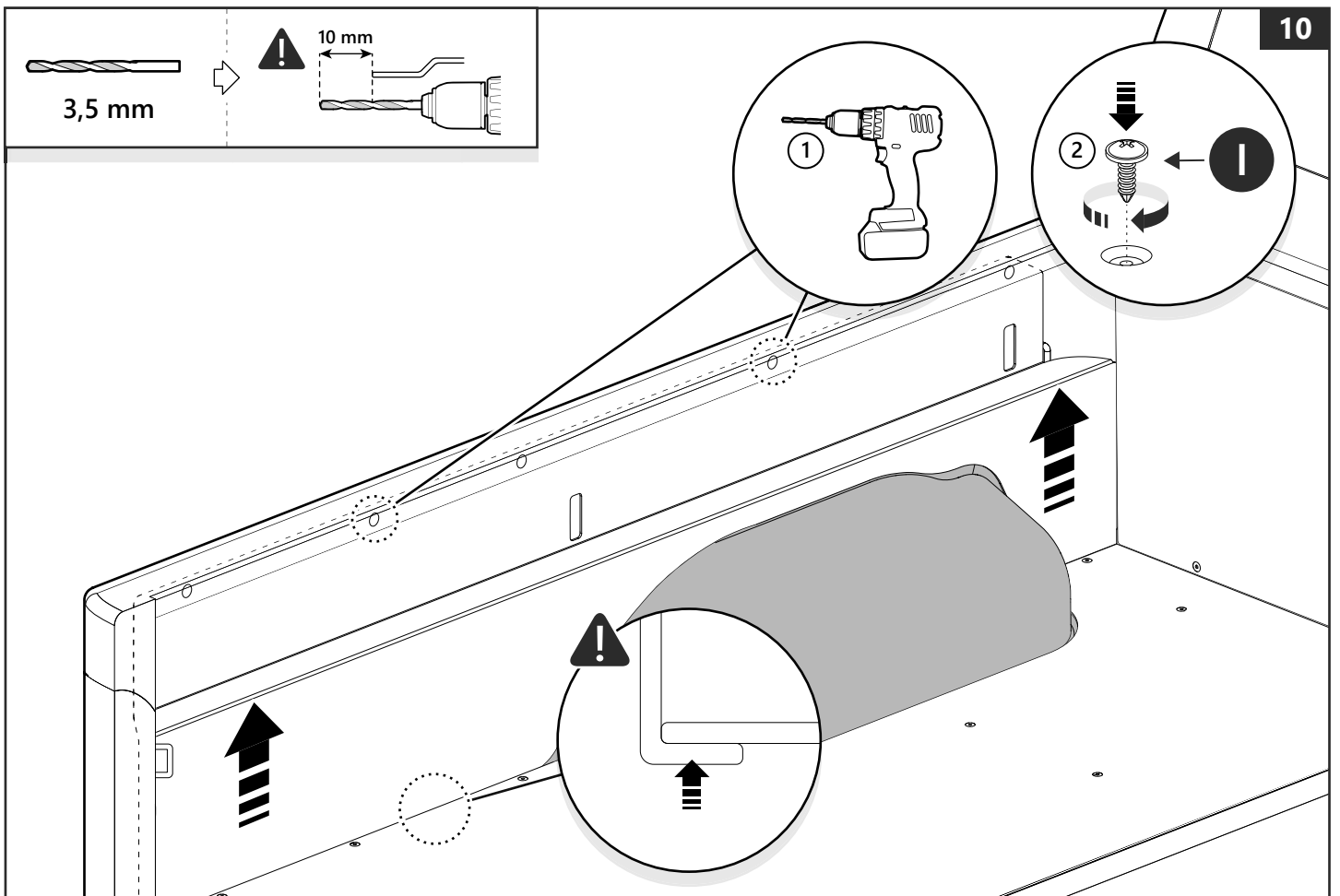
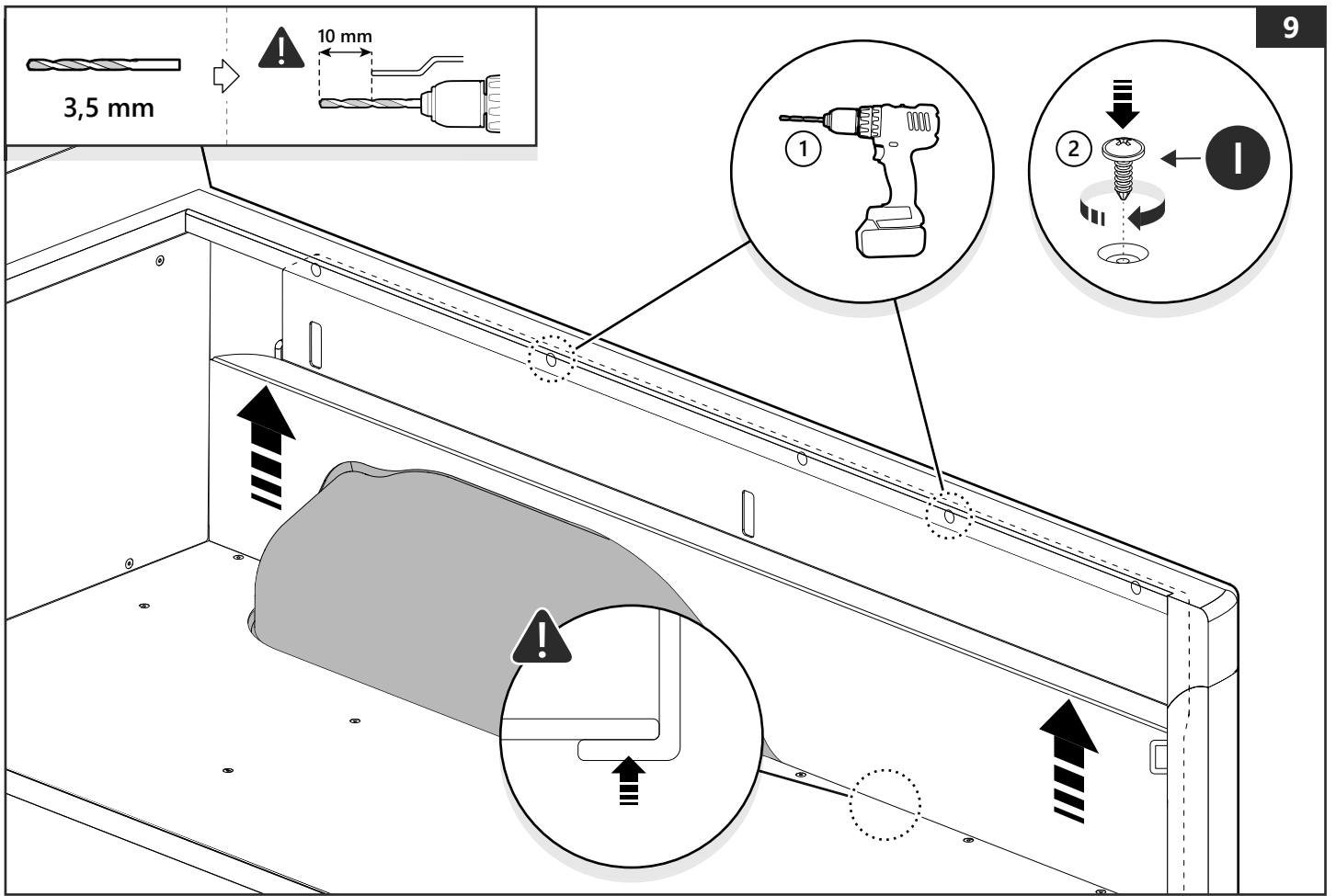
5

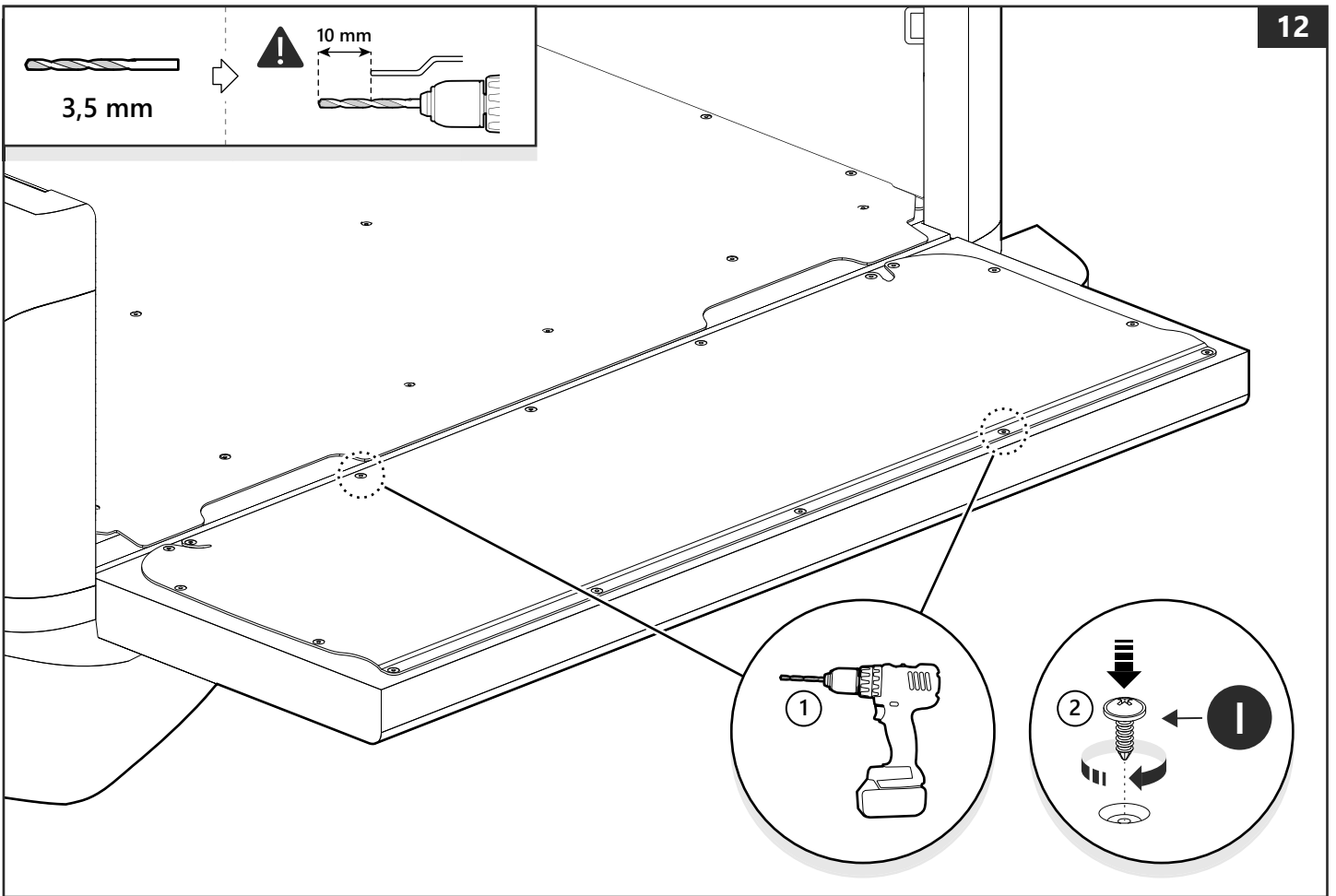
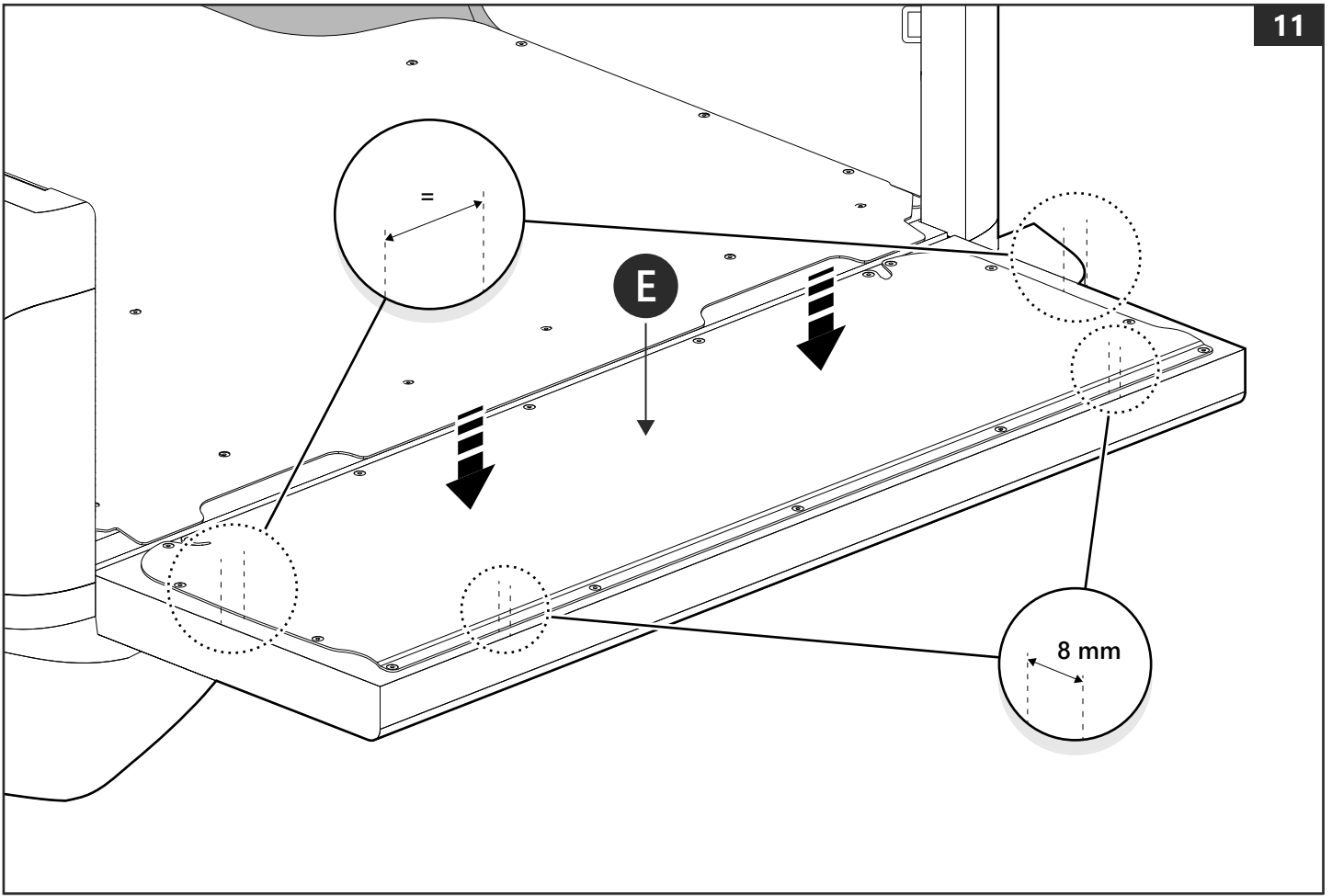


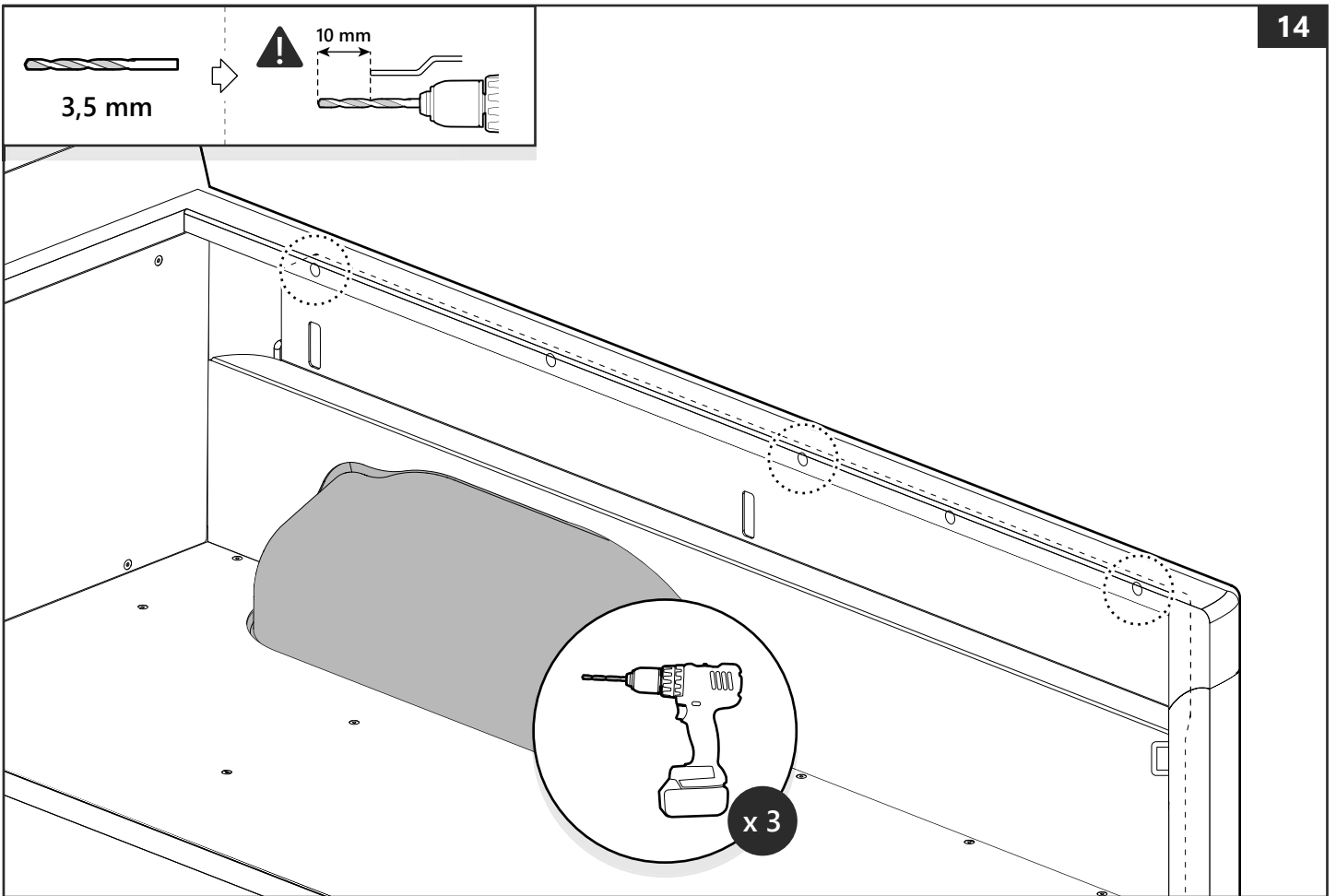
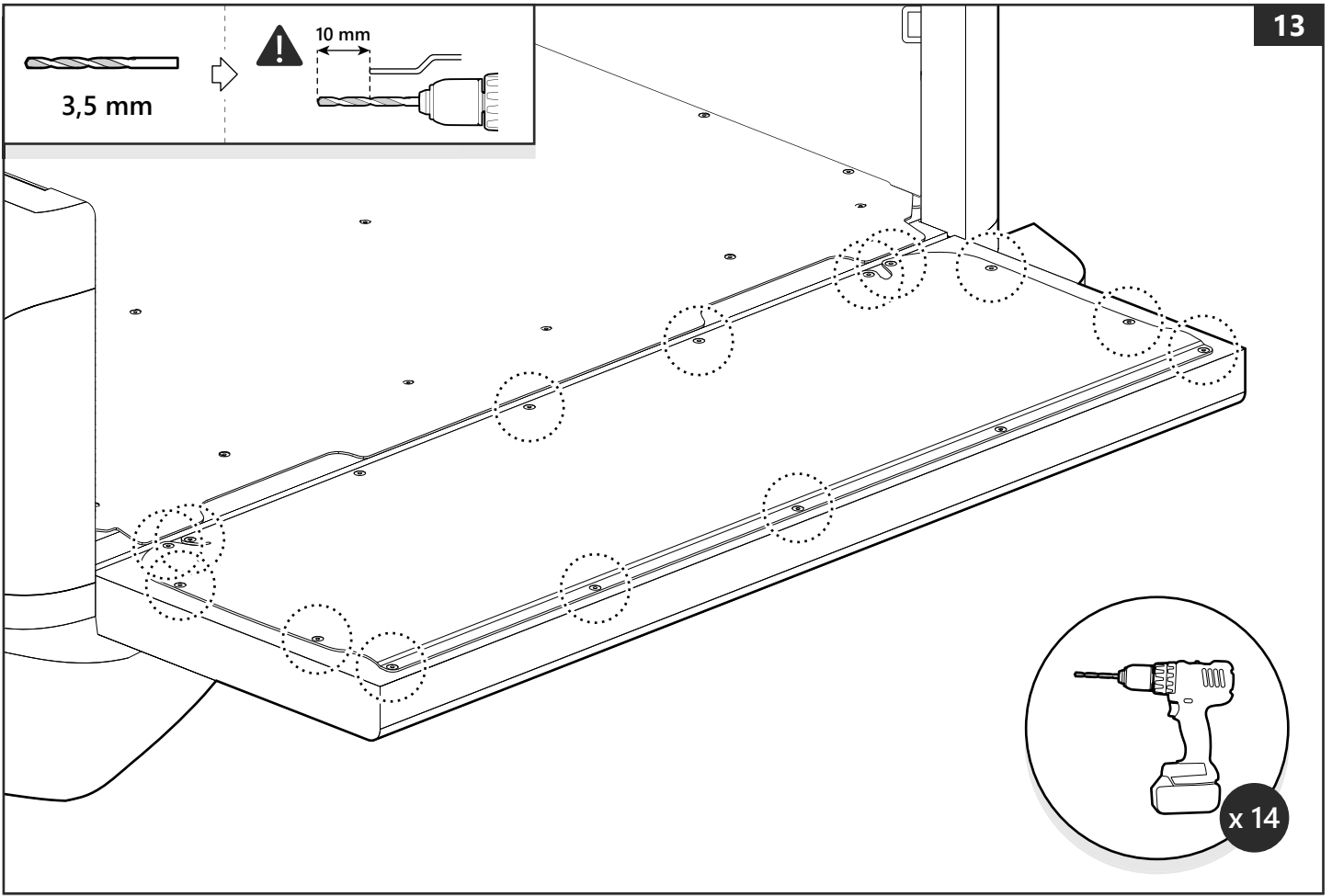
6

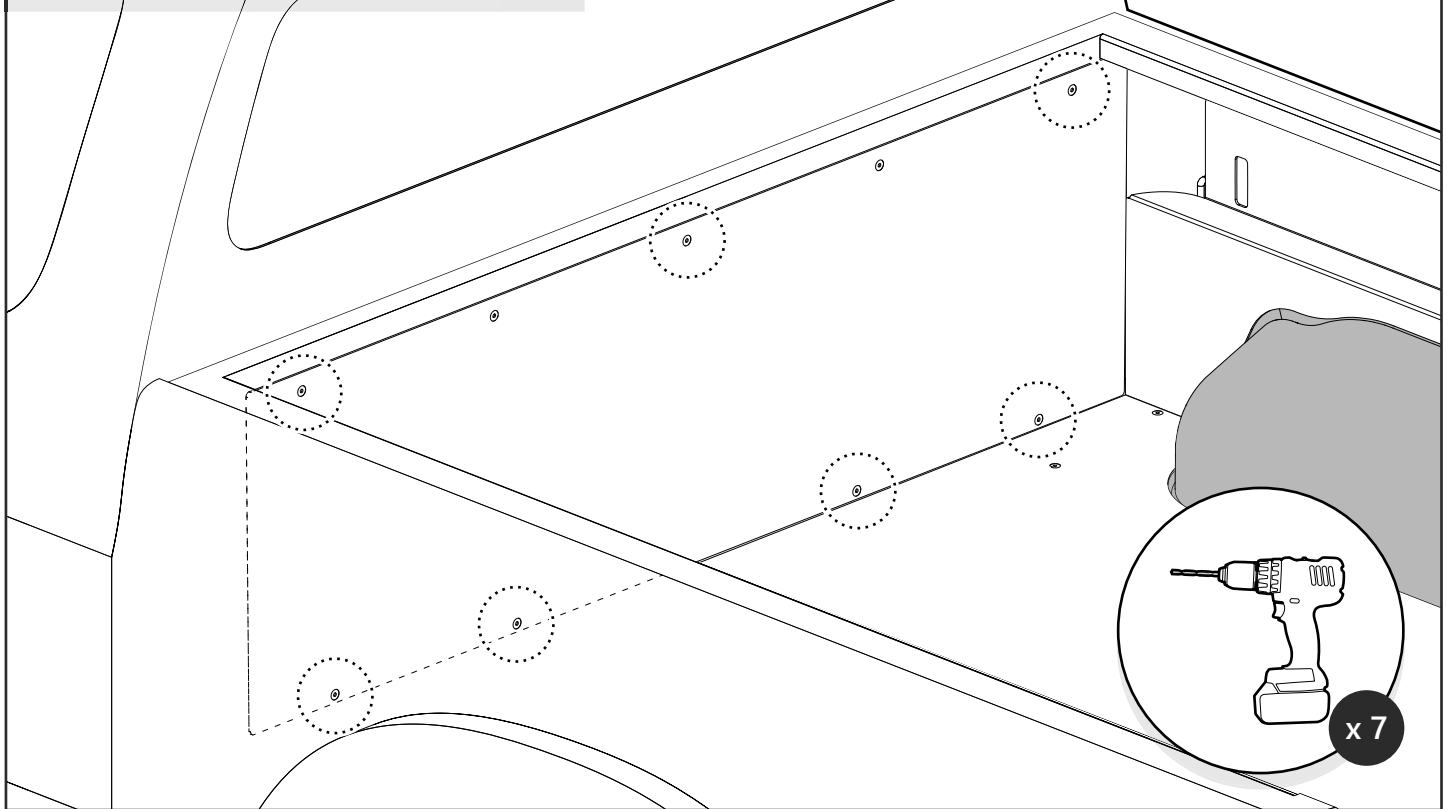
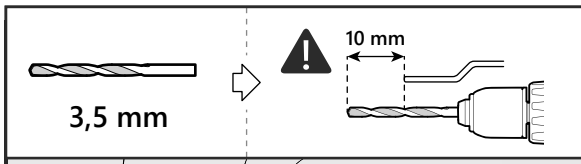
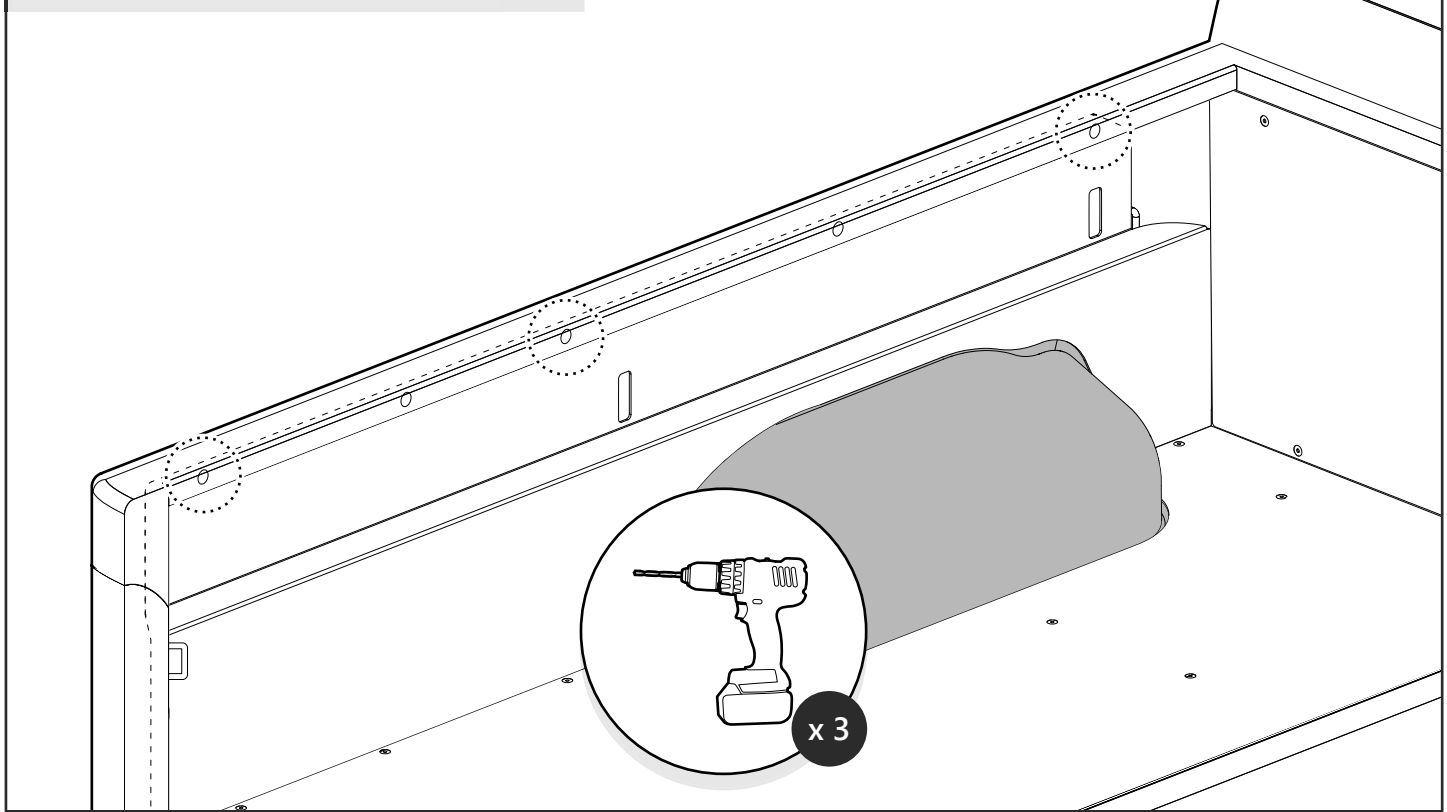
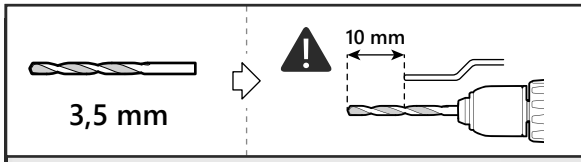


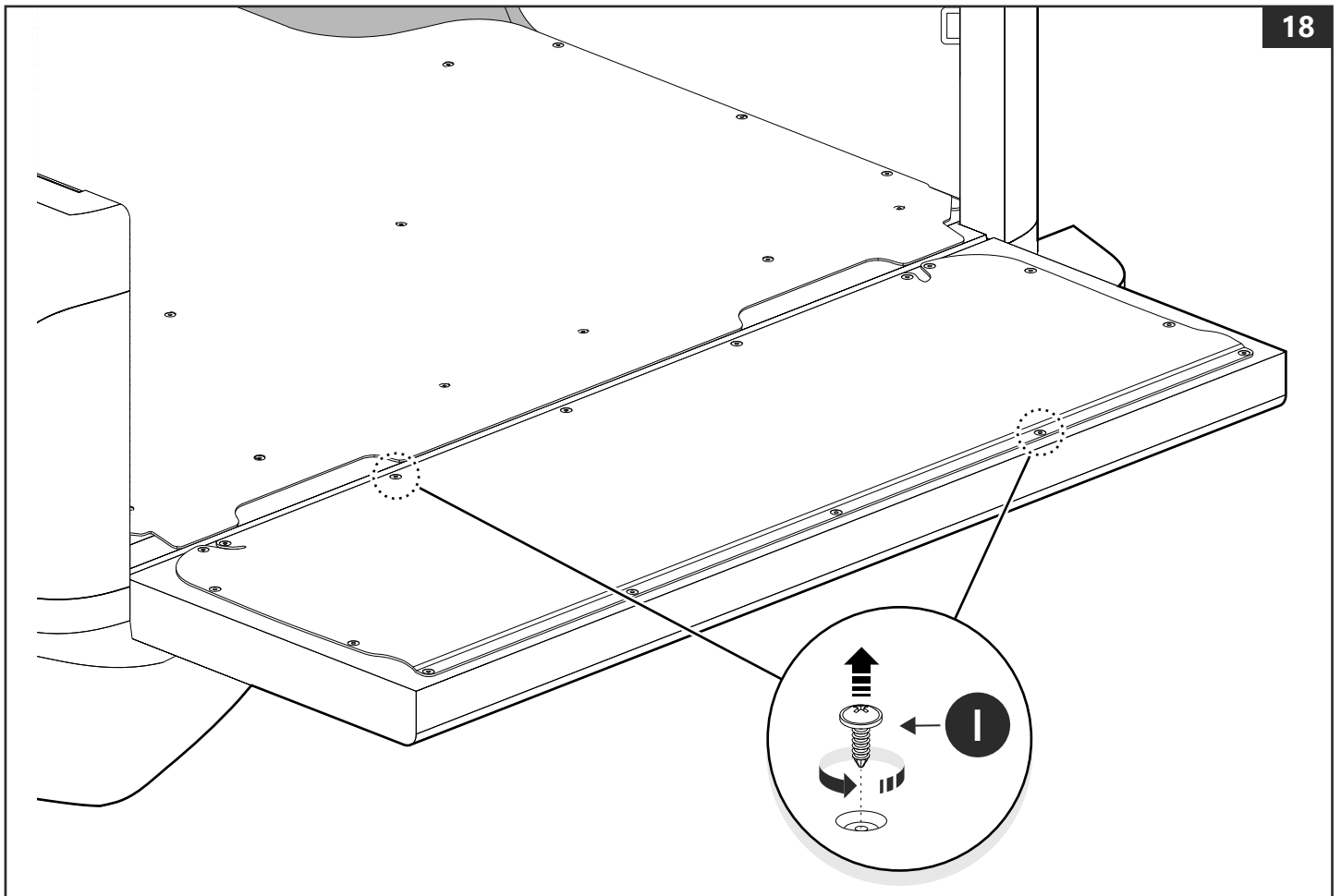
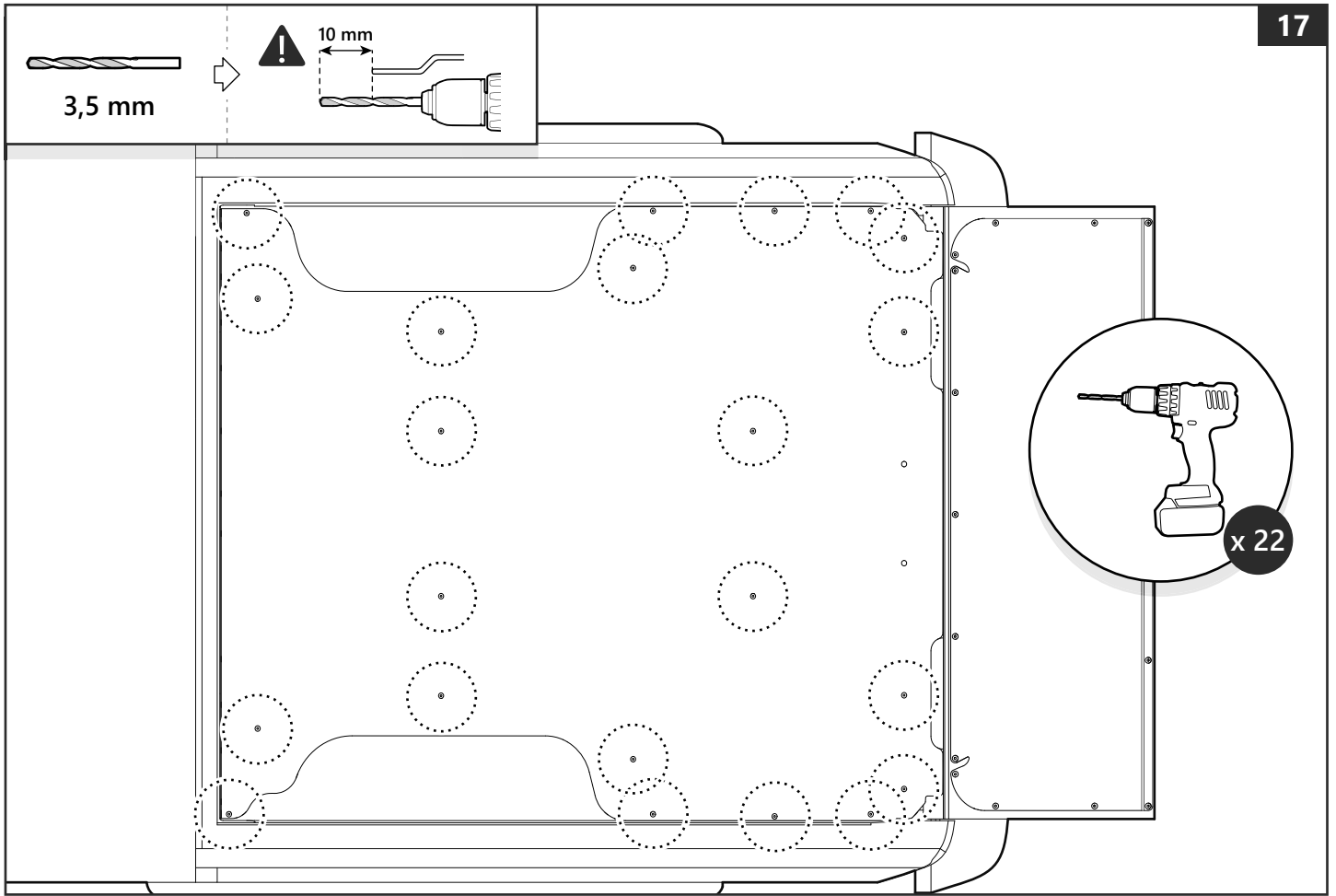


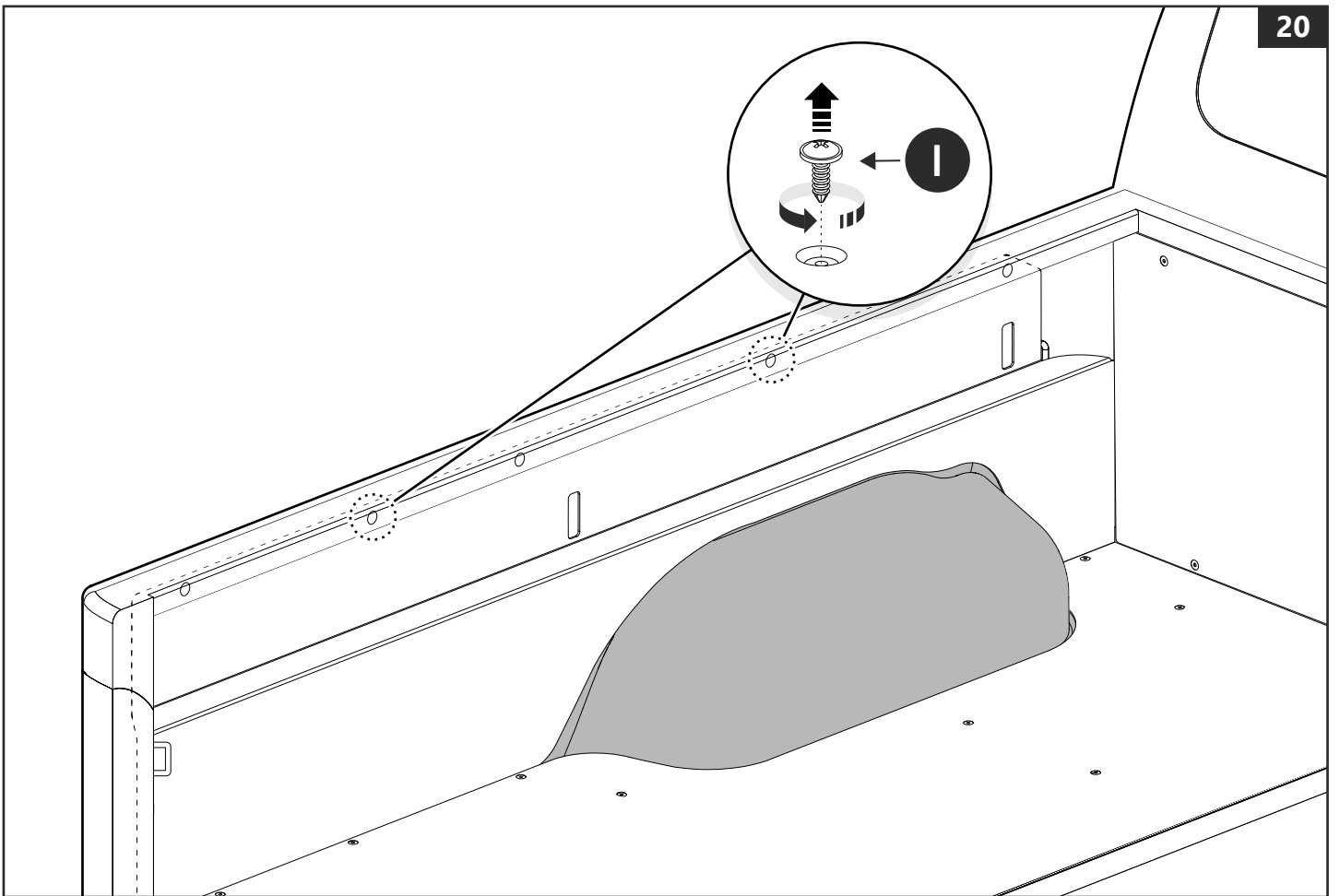
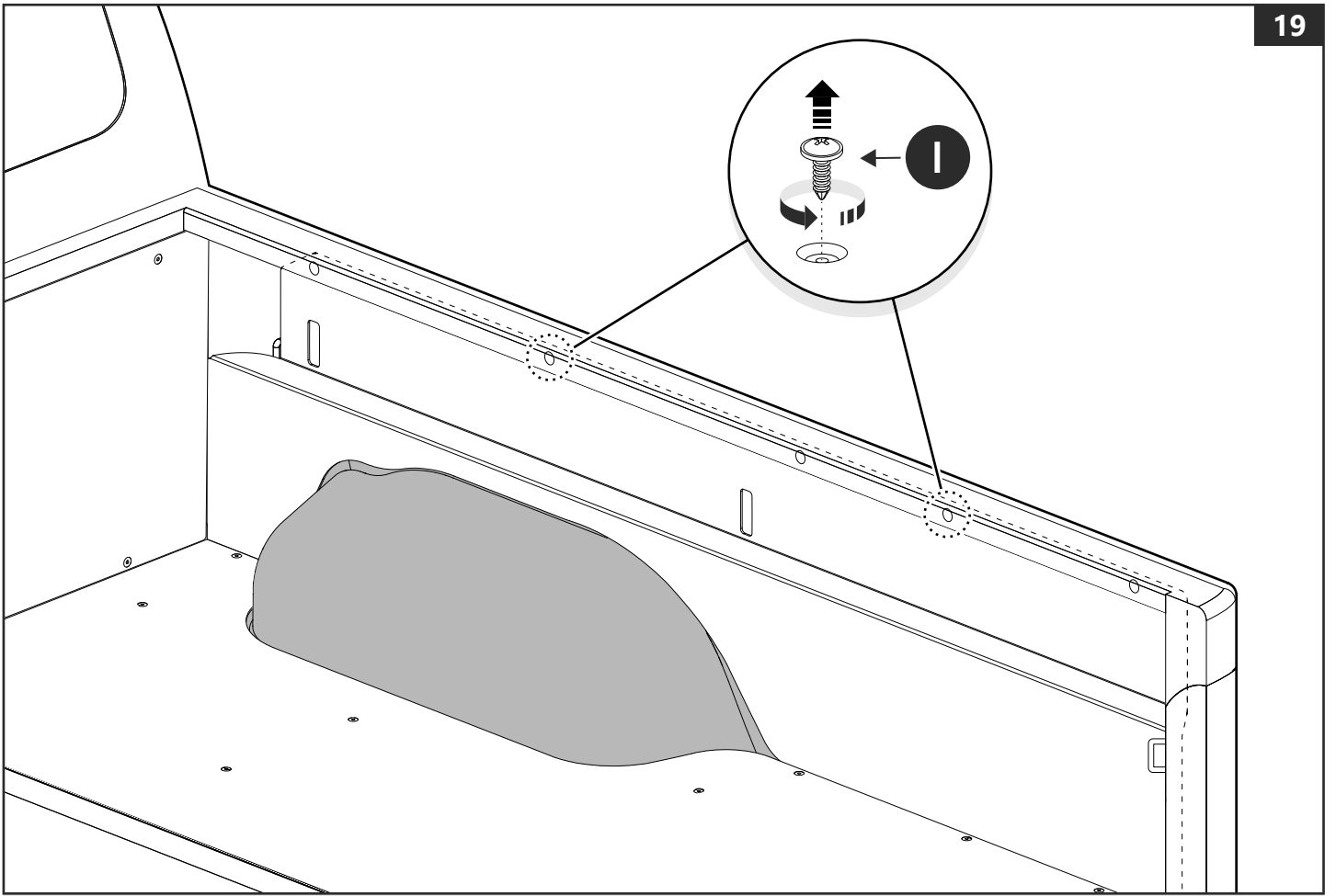


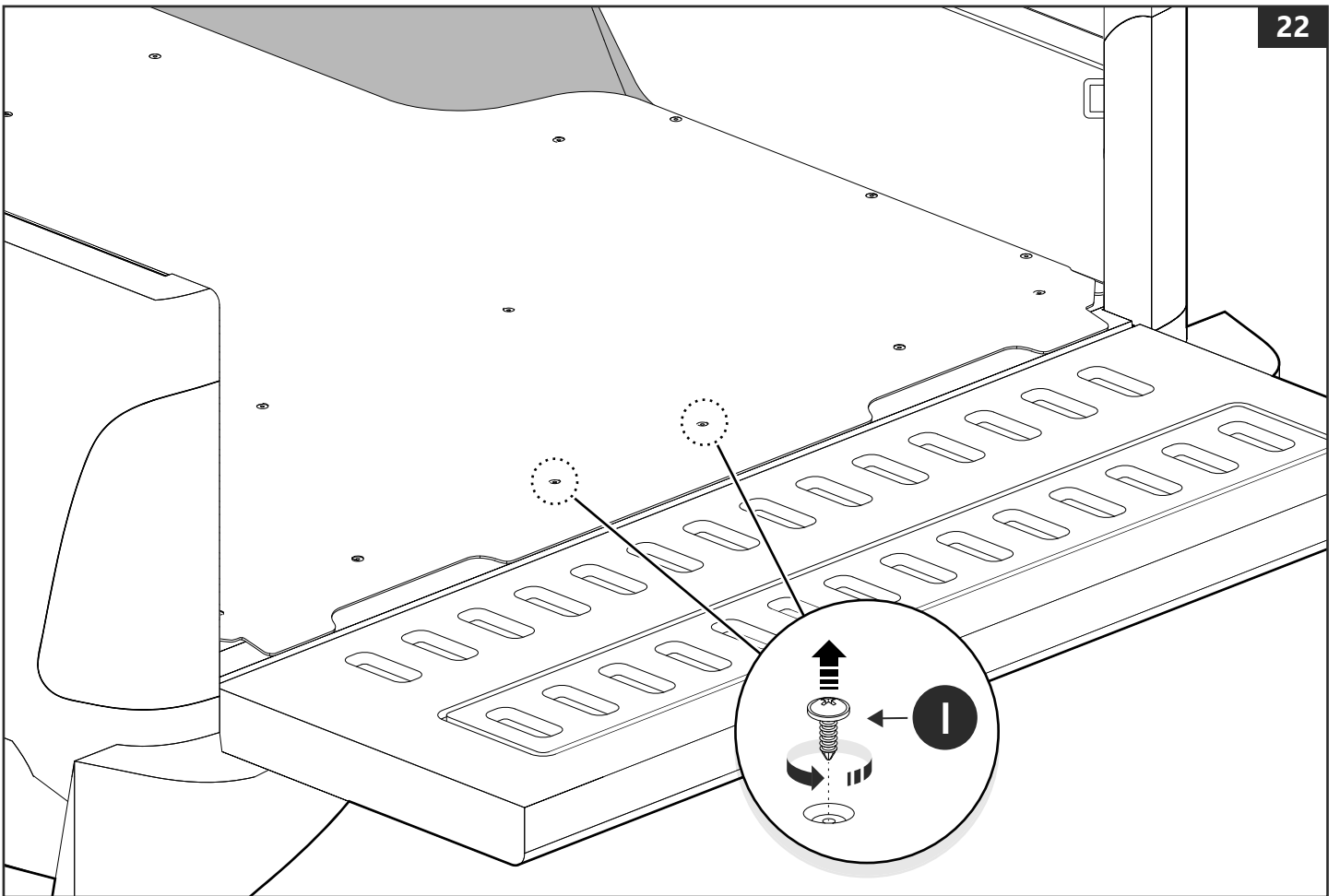
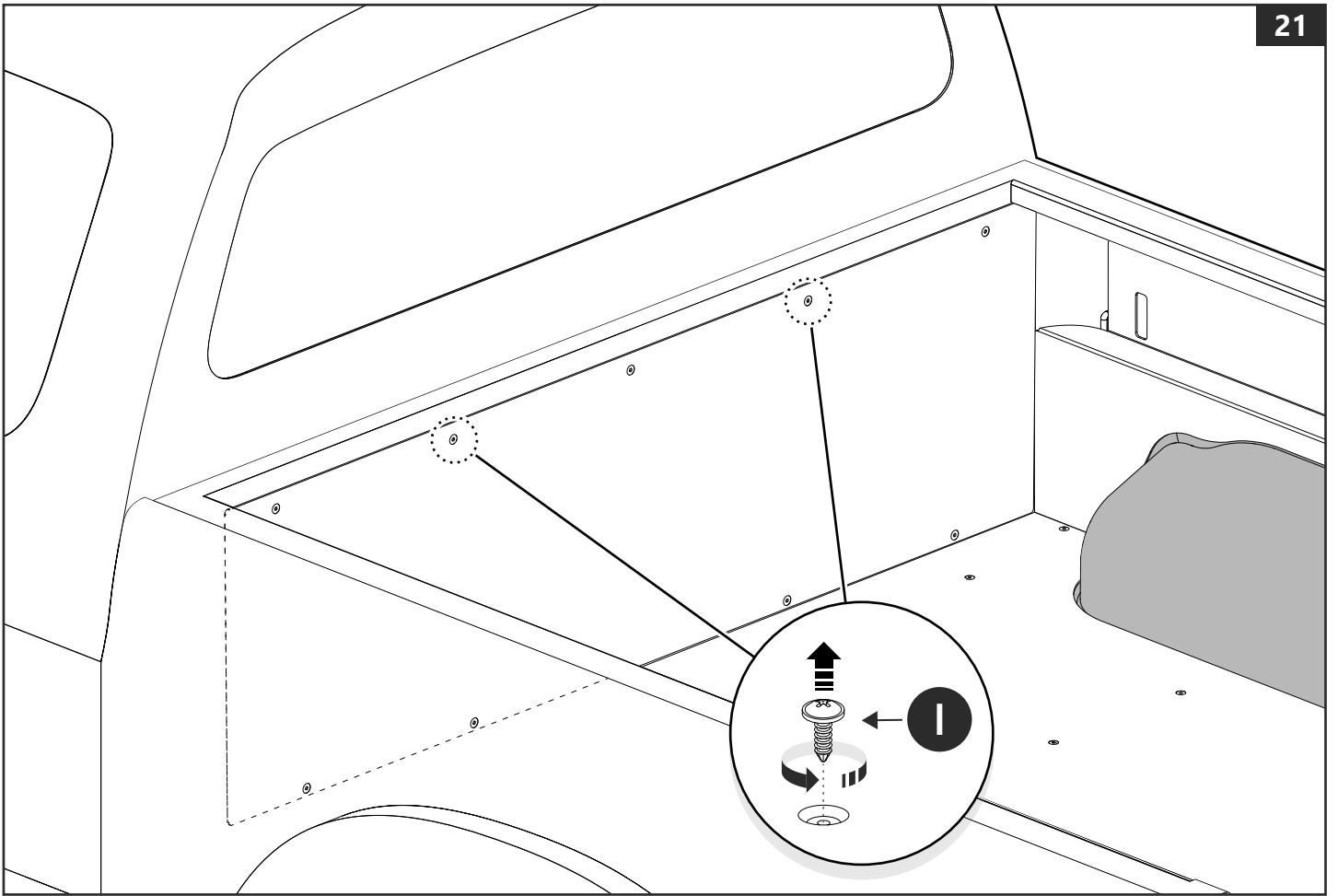


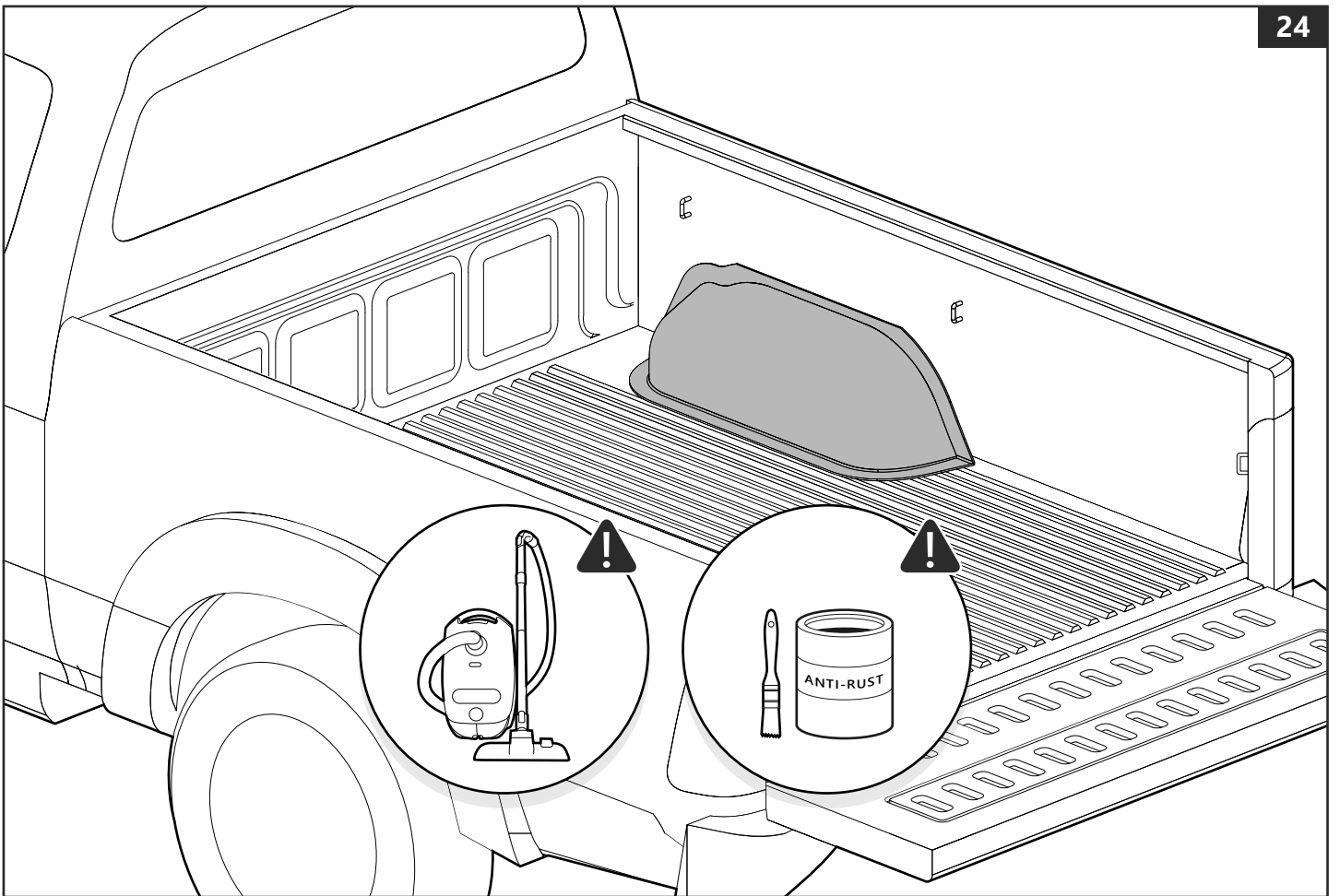
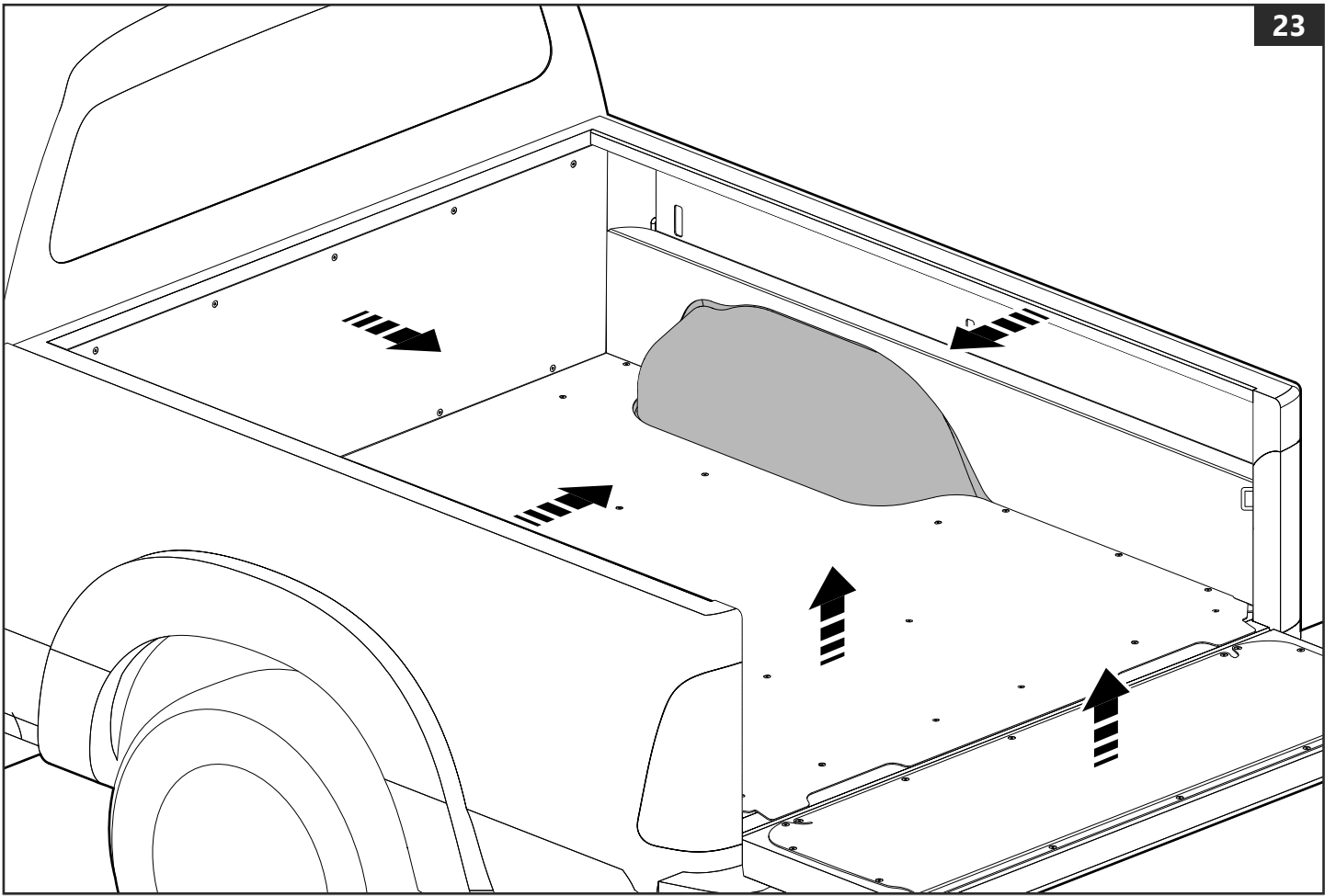


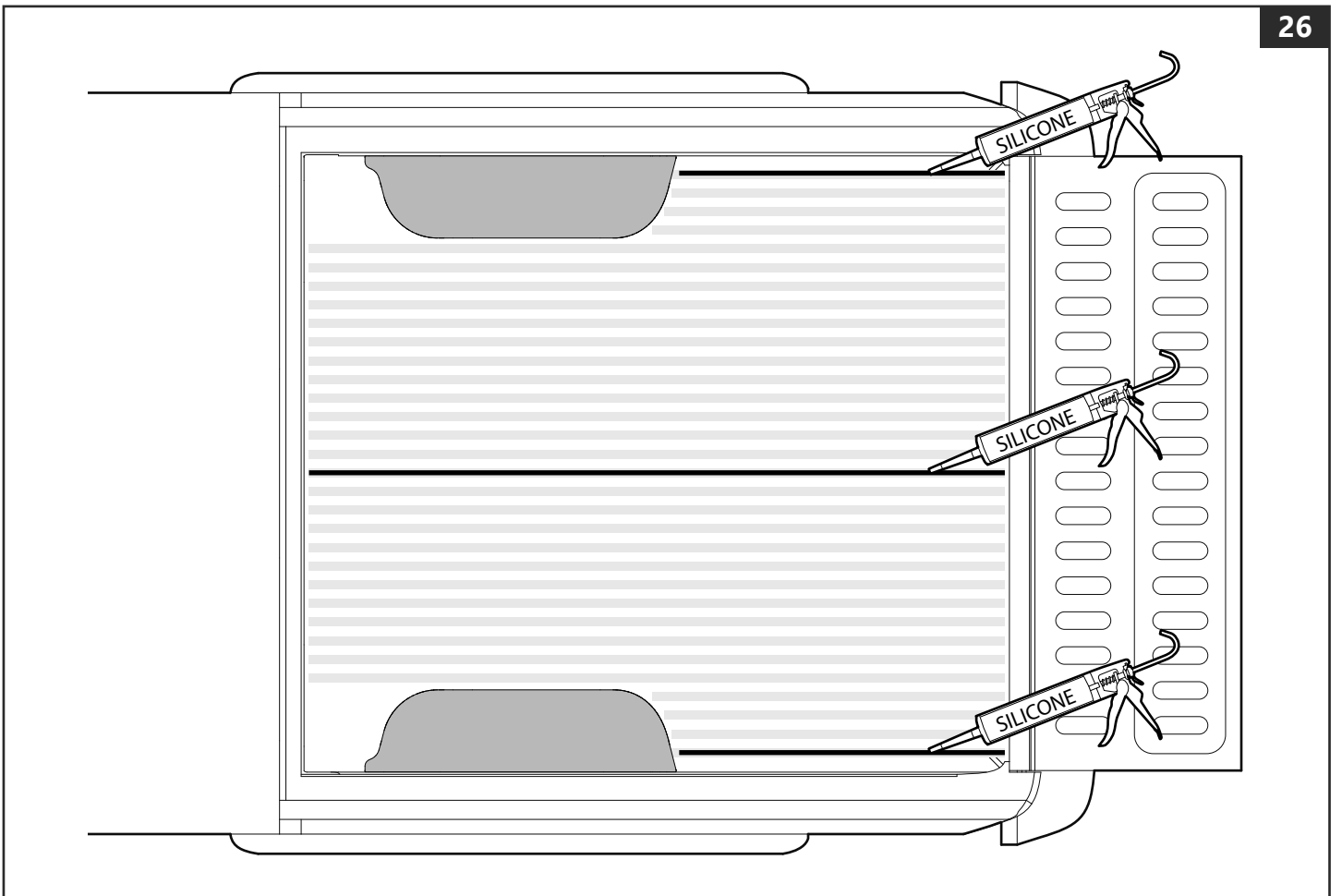
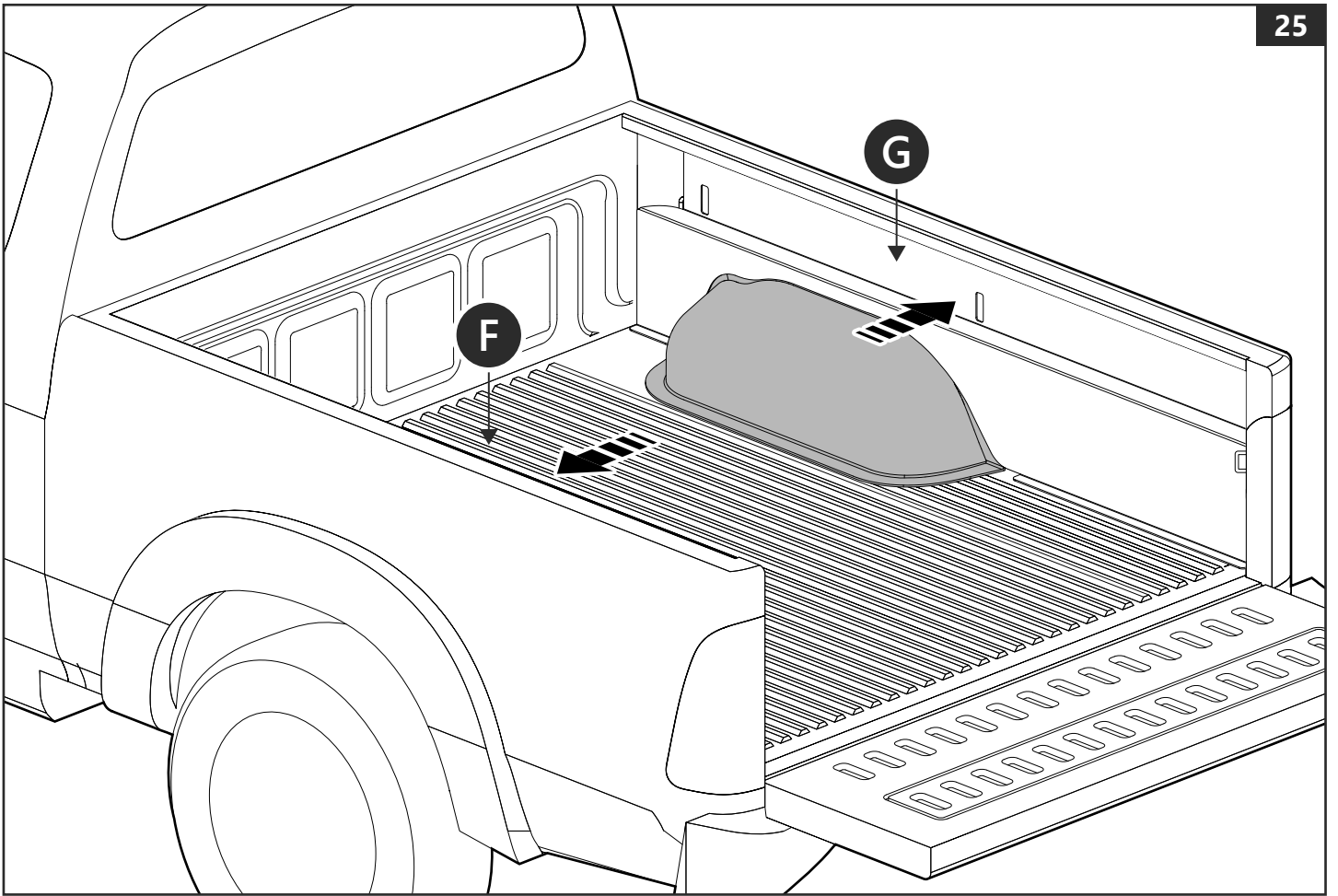


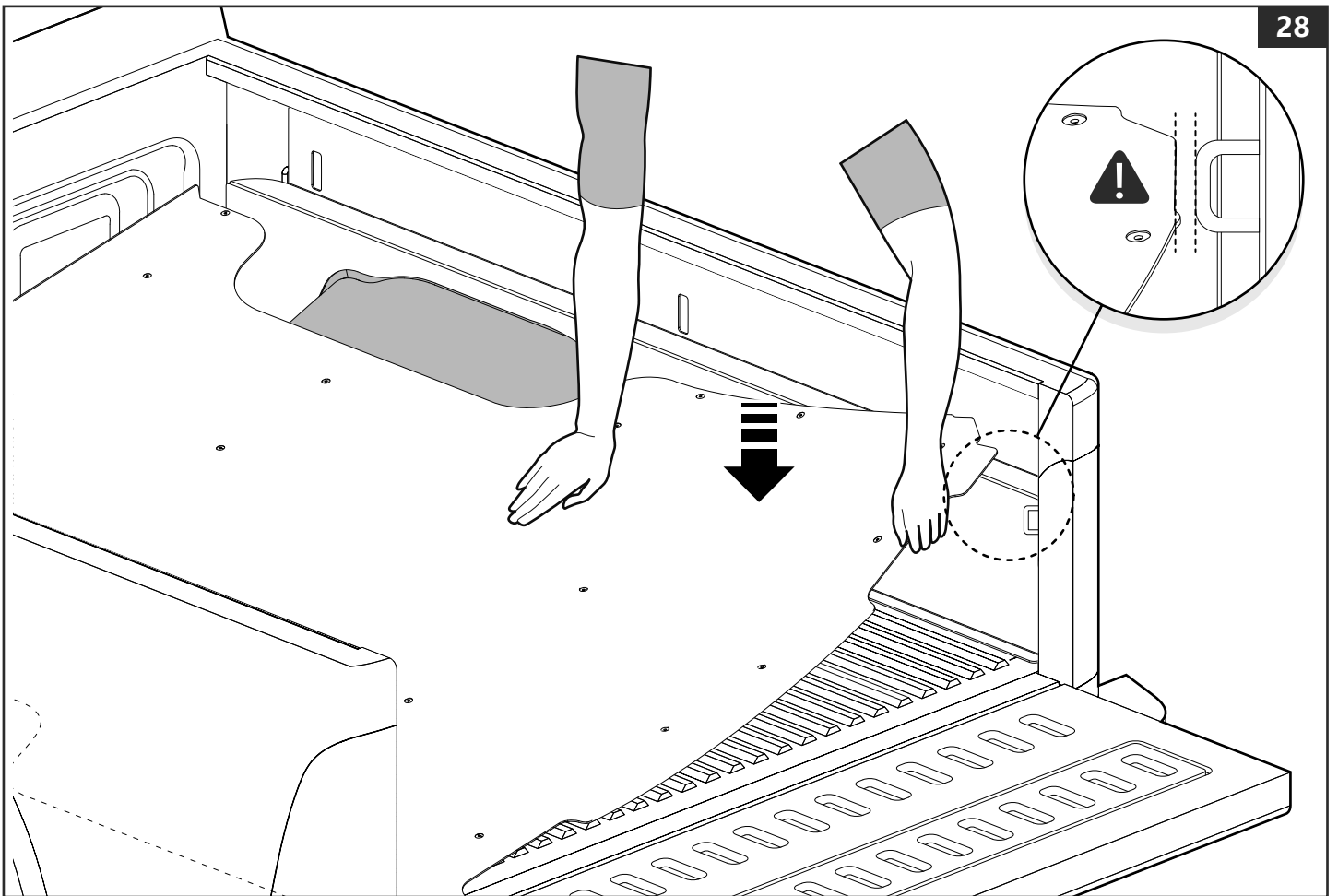
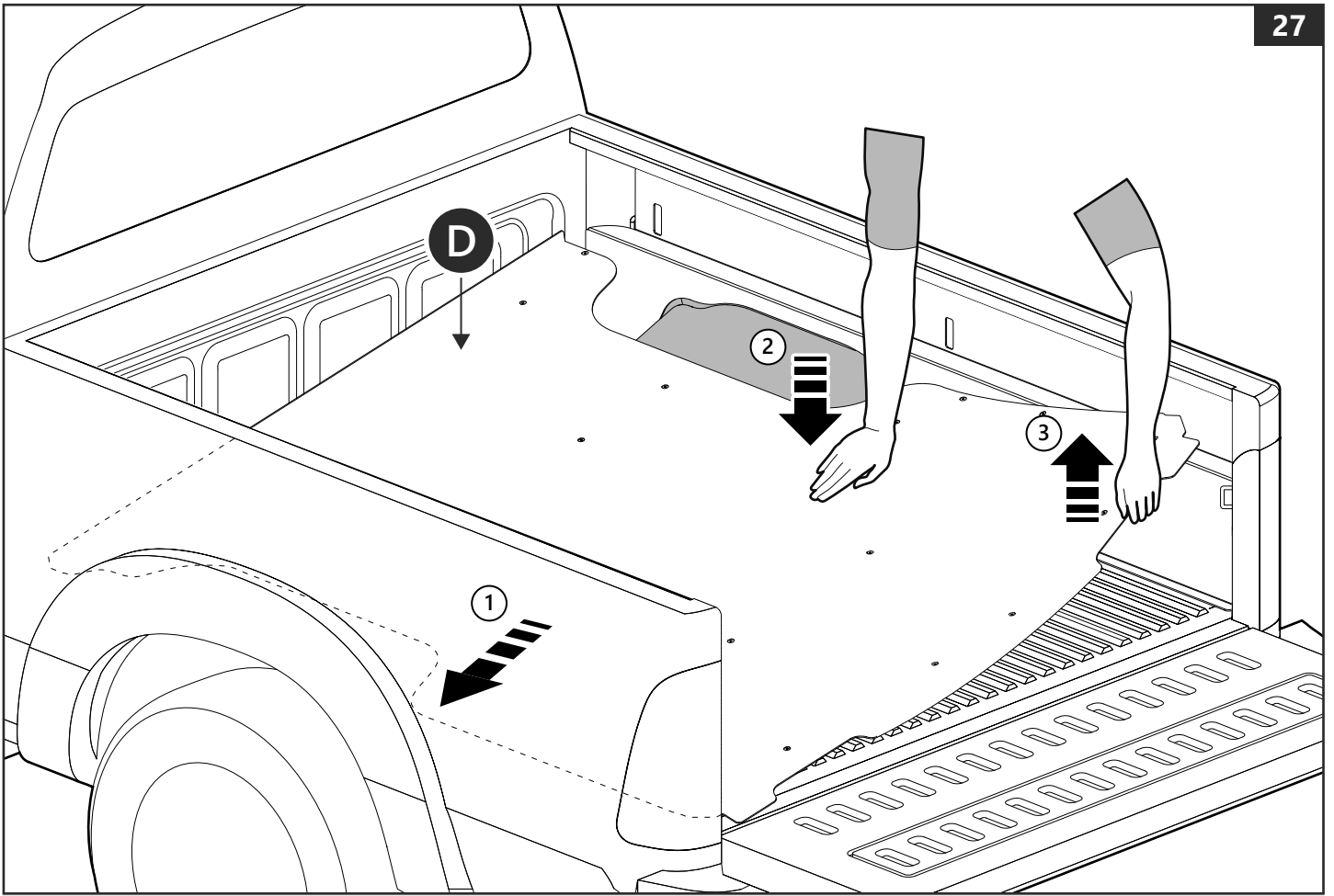


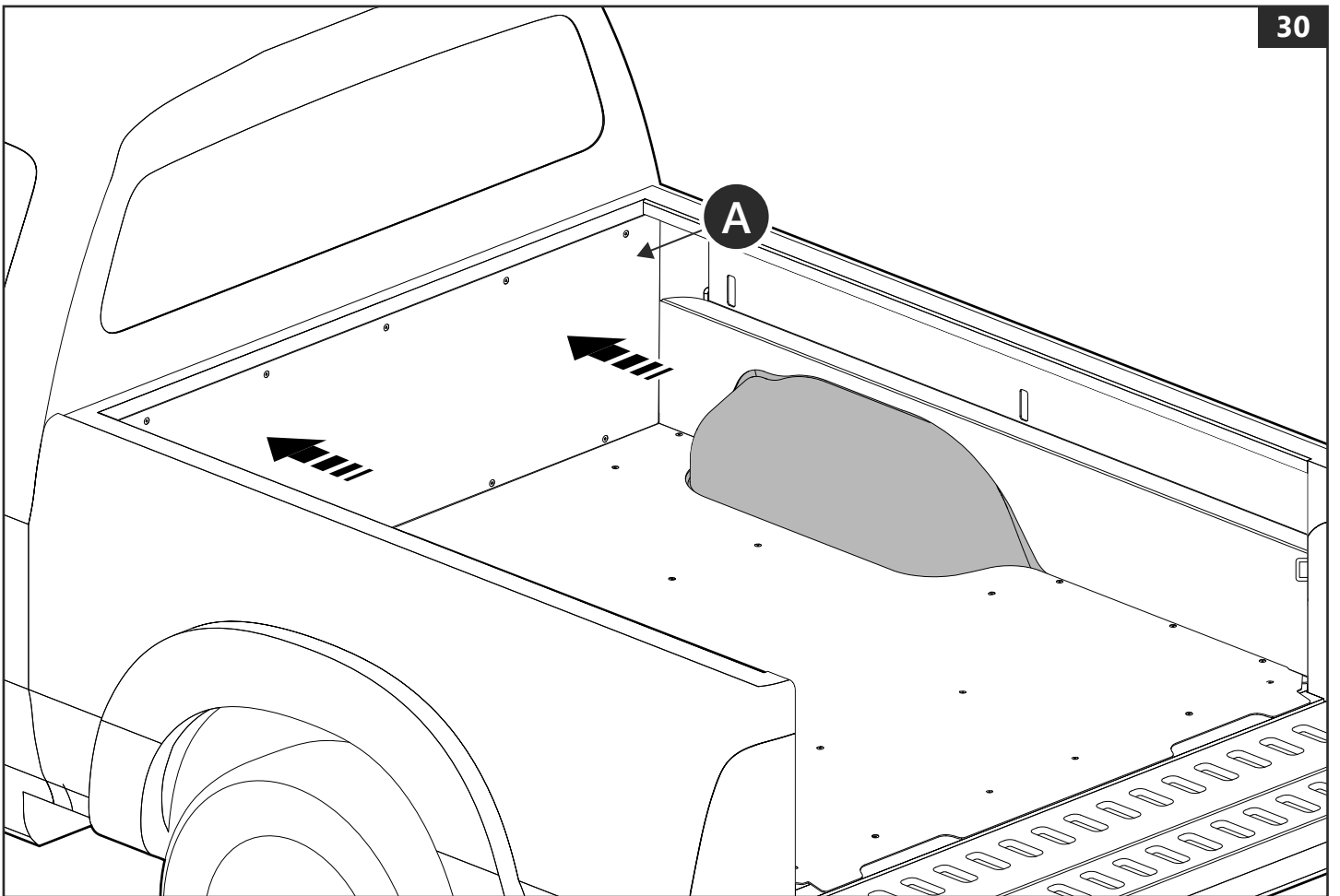
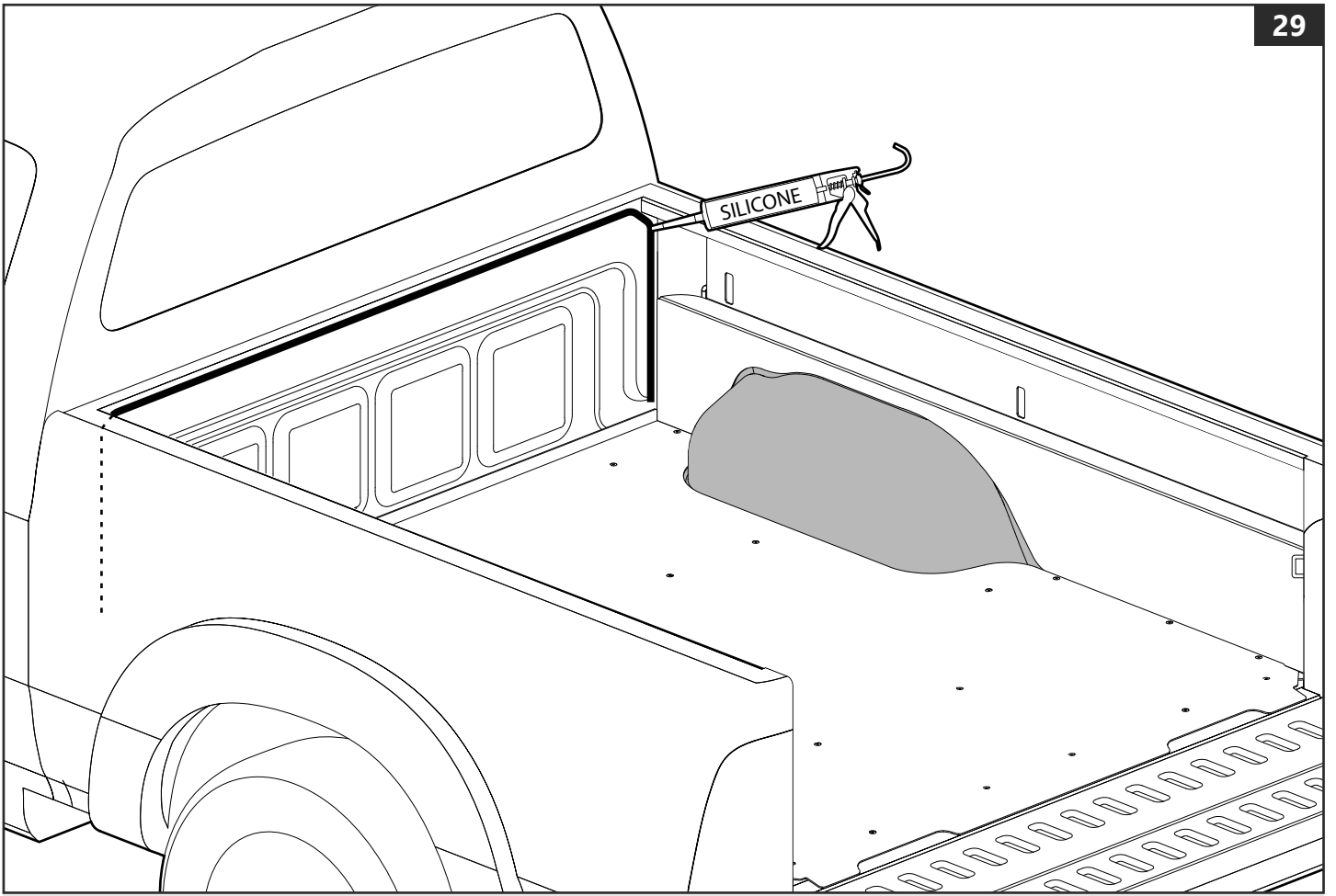


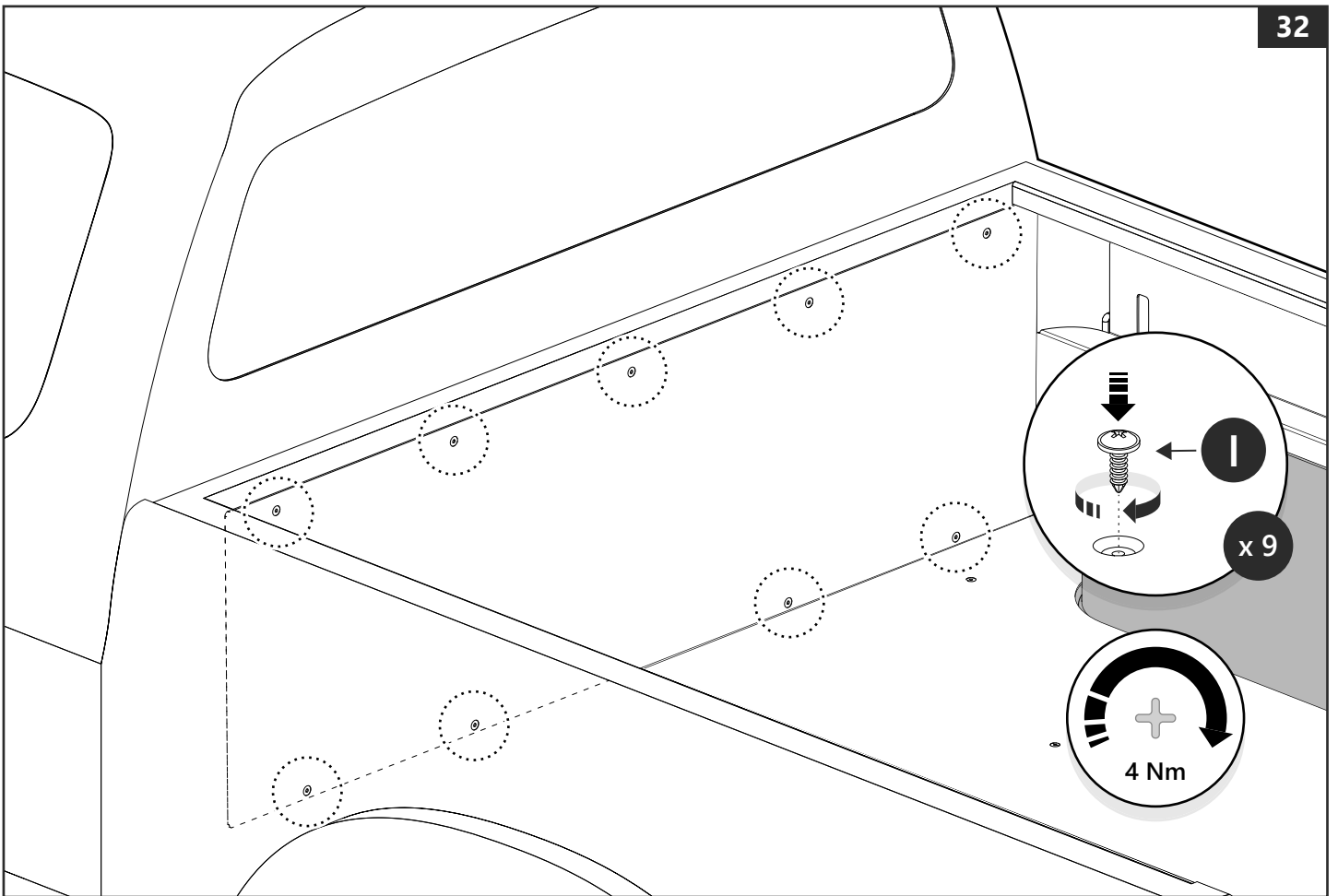
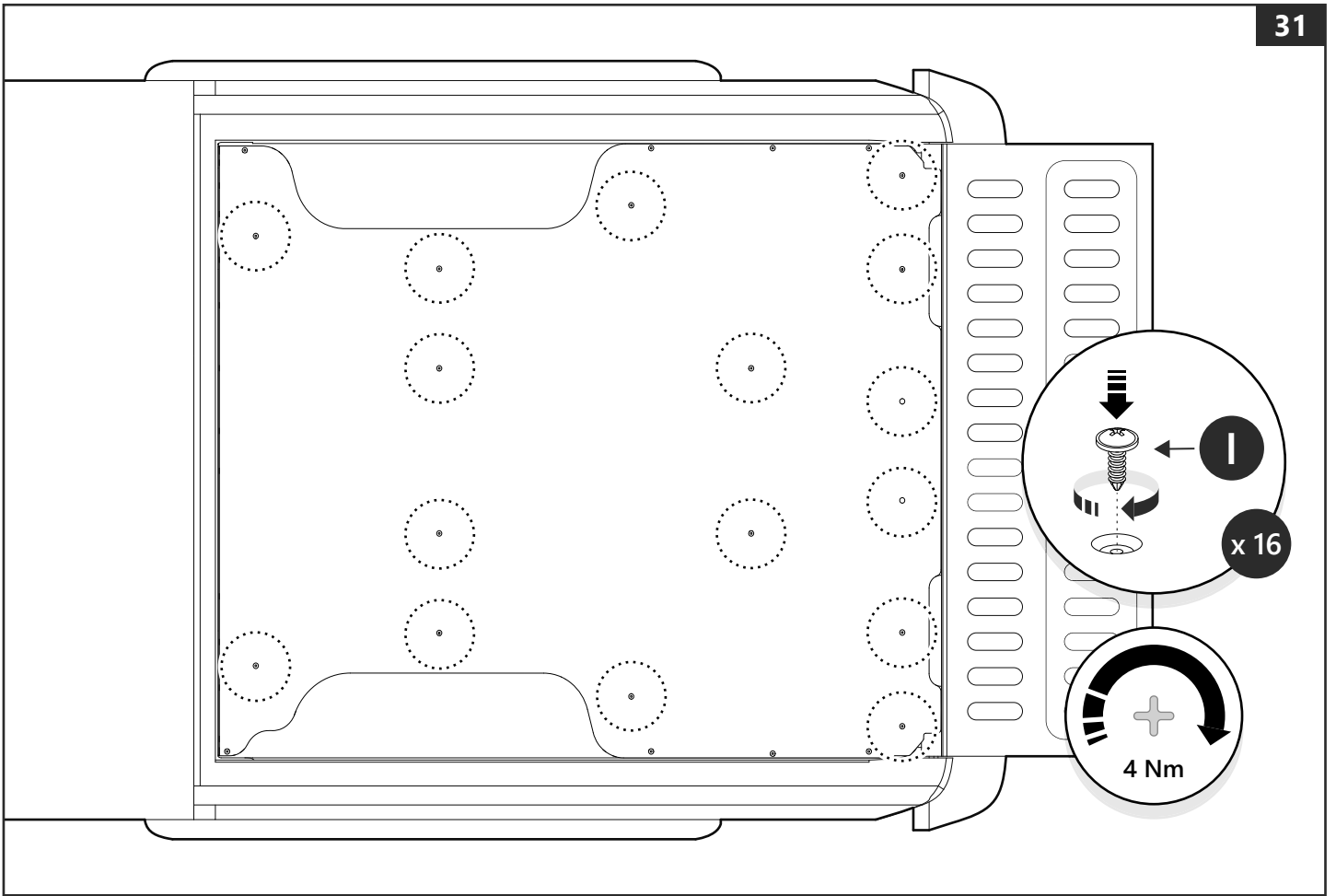


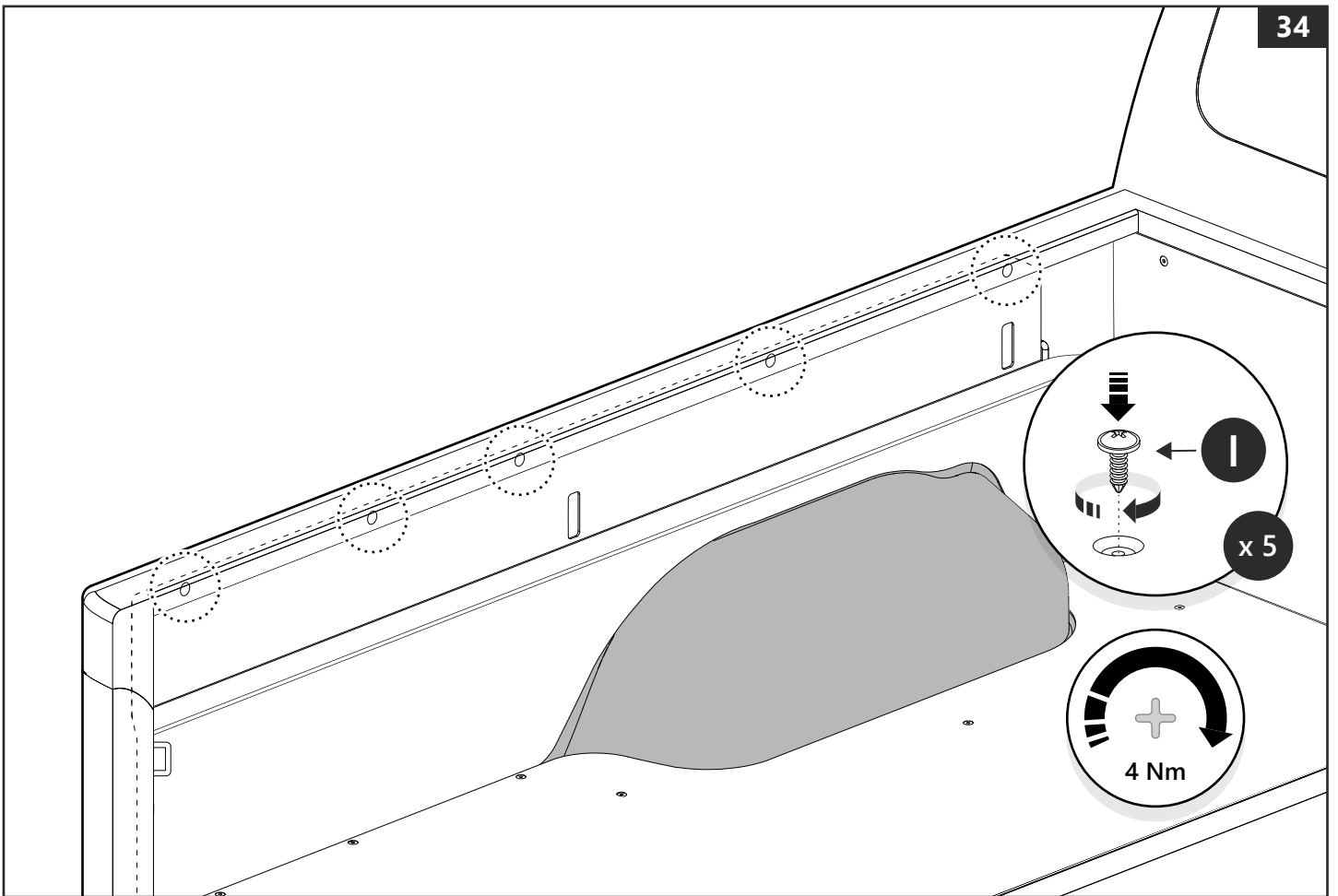
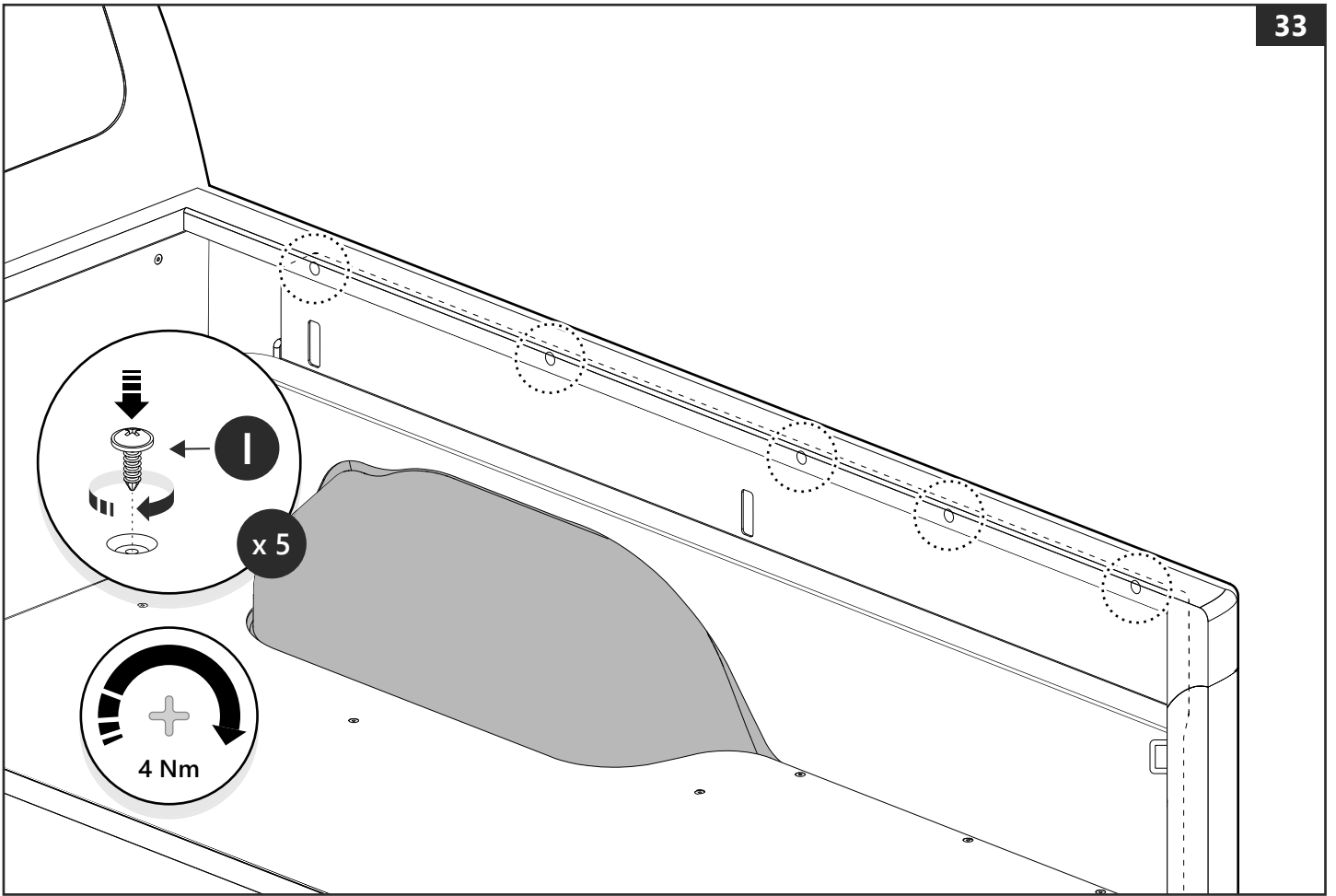


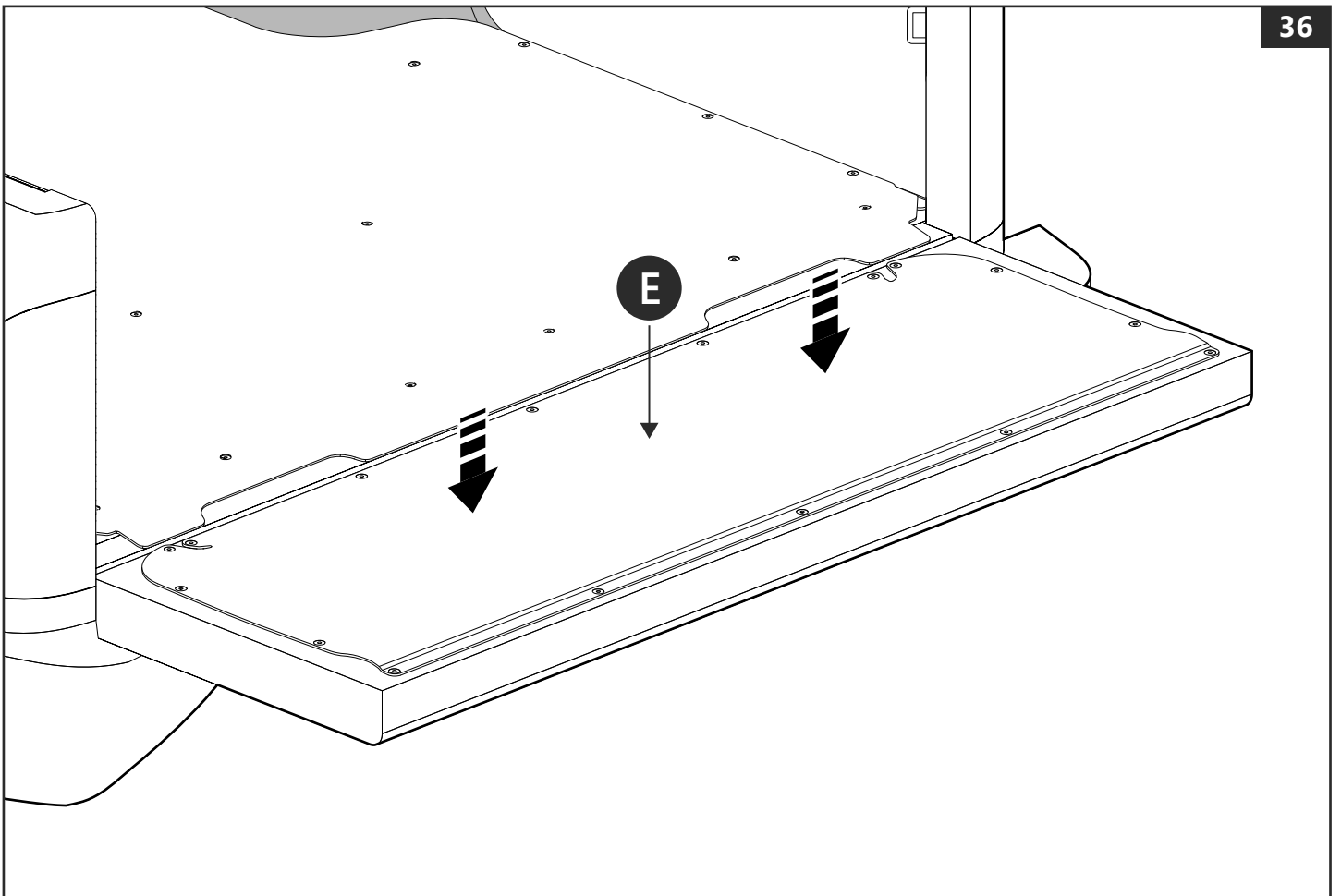
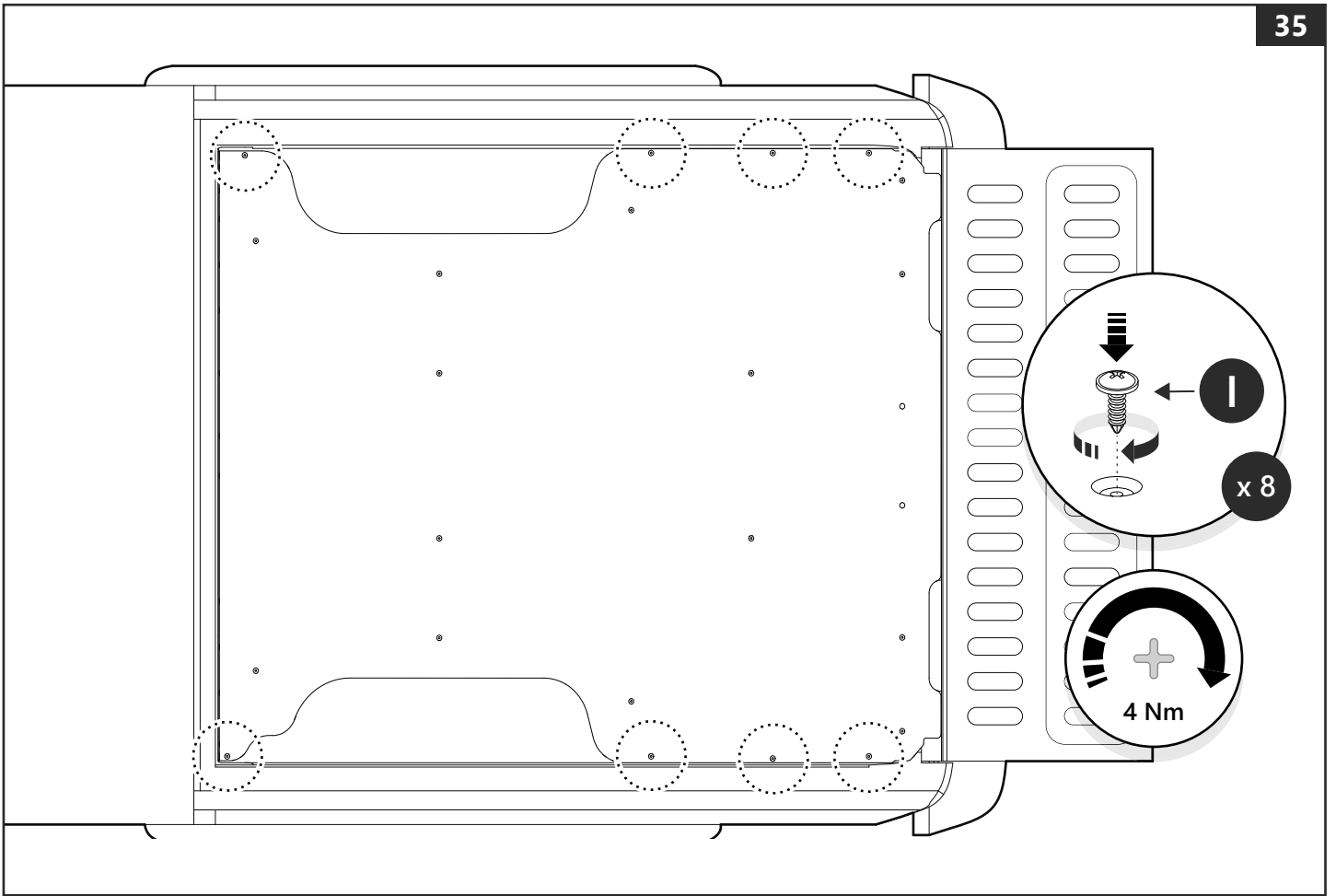


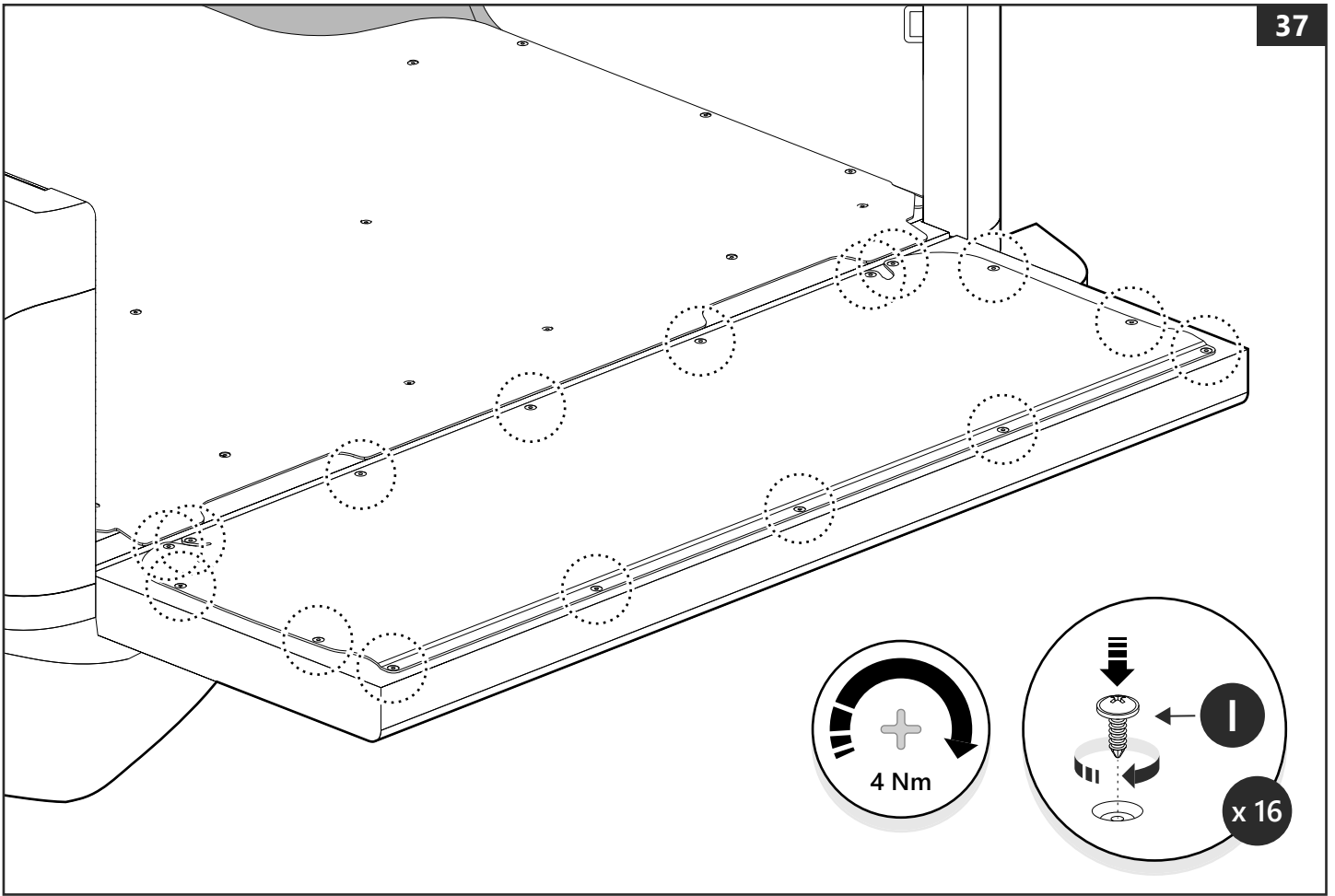














Customer Service +45 4810 2950 (08:00 - 16:00 CET)
Fax +45 4810 2960
Support info@mountaintop.dk
Website www.mountaintop.dk
Address Pedersholmparken 10, 3600 Frederikssund, Denmark

PART NUMBER(S)	MODEL / YEAR	CAB TYPE(S)	INSTALLATION TIME	WEIGHT
AL MI91	Mitsubishi / 2015 →	Club	1 hour(s)	28 Kg

GB Installation manual	S Monteringsanvisning	D Einbauanleitung
SF Asennusohje	E Instrucciones de montaje	CZ Návod k instalaci
F Notice de montage	H Szerelési utasítás	I Istruzioni de montaggio
PL Instrukcja montażu	P Instruções de instalação	GR Οδηγίες Εγκατάστασης
NL Installatie-instructies	RUS Инструкция по установке	DK Monteringsvejledning
TR Montaj Talimatı	N Monteringsveiledning	RO Instructiuni de instalare